

High-density Signal Conditioners 10-RACK

CURRENT LOOP SUPPLY

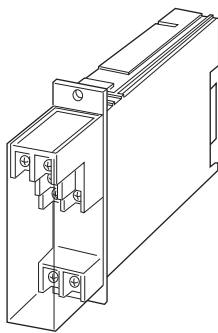
(10 - 50 mA loop)

Functions & Features

- Powering a 10 - 50 mA DC current loop
- Isolation
- Shortcircuit protection
- Applicable to smart transmitters

Typical Applications

- Various 2-wire transmitters



MODEL: 10DU-H60-R[1]

ORDERING INFORMATION

- Code number: 10DU-H60-R[1]
- Specify a code from below for [1].
(e.g. 10D-H60-R/Q)
- Specify the specification for option code /Q
(e.g. /C01)

INPUT

Current

H: 10 - 50 mA DC

OUTPUT 1

Voltage

6: 1 - 5 V DC (Load resistance 50 kΩ min.)

OUTPUT 2

0: None

POWER INPUT

DC Power

R: 24 V DC

(Operational voltage range 24 V ±10 %, ripple 10 %p-p max.)

[1] OPTIONS

blank: none

/Q: With options (specify the specification)

SPECIFICATIONS OF OPTION: Q

COATING (For the detail, refer to M-System's web site.)

/C01: Silicone coating

/C02: Polyurethane coating

/C03: Rubber coating

GENERAL SPECIFICATIONS

Construction: Rack-mounted; terminal access via screw terminals at the front and via card-edge connector at the rear; terminal cover provided

Connection

Input: M3.5 screw terminals (torque 0.8 N·m)

Output: Card-edge connector and M3.5 screw terminals (torque 0.8 N·m)

Power input: Supplied from card-edge connector

Screw terminal: Nickel-plated steel

Housing material: Flame-resistant resin (black)

Isolation: Input to output to power

Overrange output: Approx. -10 to +120 % at 1 - 5 V

Zero adjustment: -5 to +5 % (front)

Span adjustment: 95 to 105 % (front)

SUPPLY OUTPUT

Output voltage: 24 - 28 V DC with no load

Current rating: ≤ 55mA DC

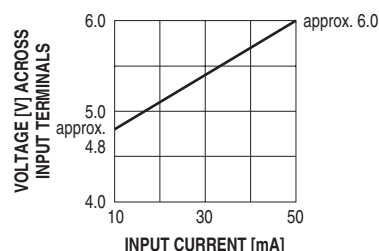
• **Shortcircuit Protection**

Current limited: Approx. 65 mA

Protected time duration: No limit

INPUT SPECIFICATIONS

Equivalent input impedance: Approx. 100 Ω at 50 mA



OUTPUT SPECIFICATIONS

The output goes below 0 % when the input is open.



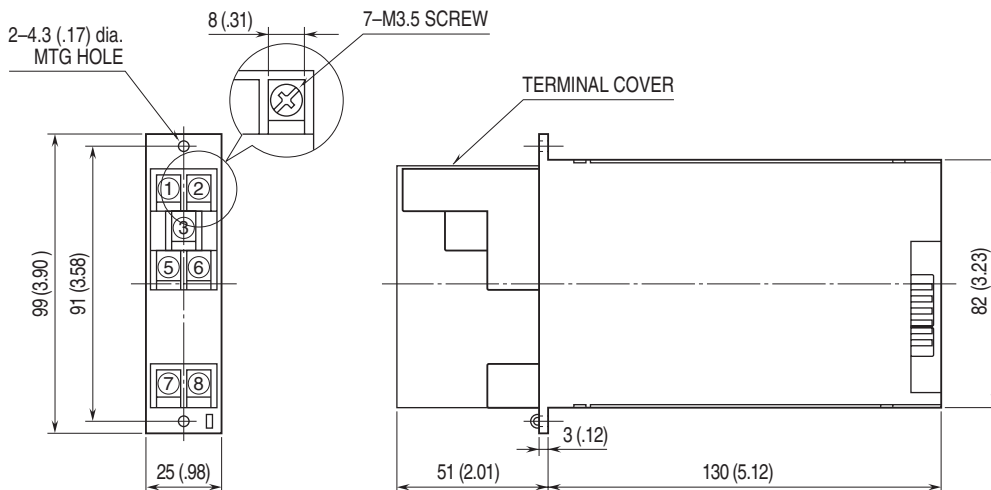
INSTALLATION

Current consumption: Approx. 100 mA
Operating temperature: -5 to +55°C (23 to 131°F)
Operating humidity: 30 to 90 %RH (non-condensing)
Mounting: Standard Rack 10BXx
Weight: 200 g (0.44 lb)

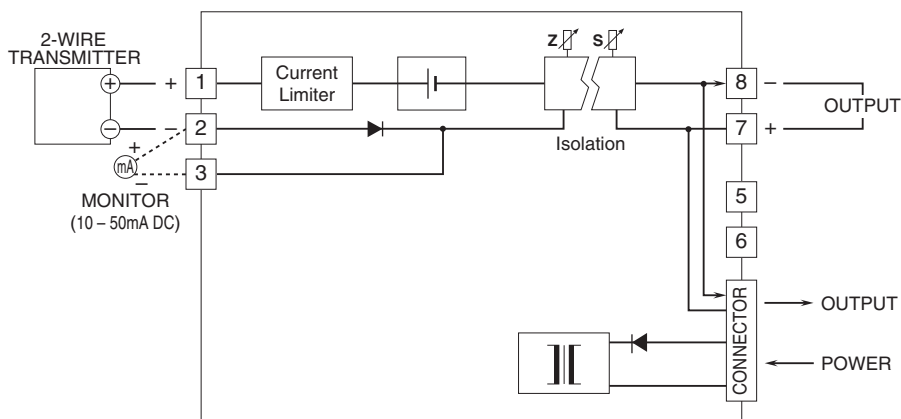
PERFORMANCE in percentage of span

Accuracy: $\pm 0.1\%$
Temp. coefficient: $\pm 0.015\%/^{\circ}\text{C}$ ($\pm 0.008\%/^{\circ}\text{F}$)
Response time: ≤ 0.5 sec. (0 - 90 %)
Line voltage effect
Supply output: $\pm 3\%$ over voltage range
Output signal: $\pm 0.1\%$ over voltage range
Insulation resistance: $\geq 100\ \text{M}\Omega$ with 500 V DC
Dielectric strength: 500 V AC @ 1 minute
 (input to output to power)
 1500 V AC @ 1 minute (input or output or power to ground)

EXTERNAL DIMENSIONS & TERMINAL ASSIGNMENTS unit: mm (inch)



SCHEMATIC CIRCUITRY & CONNECTION DIAGRAM





Specifications are subject to change without notice.



幸託有限公司
XIN TOP CORPORATION

TEL : (02)2598-1199
FAX : (02)2596-2331

E-mail : info@xintop.com
Website : www.xintop.com