

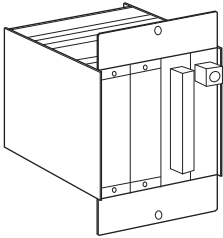
High-density Signal Conditioners 10-RACK

STANDARD RACK

(2 positions, with air manifold)

Functions & Features

- Standard rack for I/P transducers (model: 10VP)
- Line power supplied via the rear rack bus
- Supply pressure at the manifold plug
- Other 10-Rack signal conditioners are also mountable



MODEL: 10BXUA-[1]

ORDERING INFORMATION

- Code number: 10BXUA-[1]
Specify a code from below for [1].
(e.g. 10BXUA-K)

[1] POWER SUPPLY UNIT

AC Power

K: 85 - 132 V AC
(Operational voltage range 85 - 132 V, 47 - 63 Hz)

DC Power

R: 24 V DC
(Operational voltage range 24 V \pm 10 %, ripple 10 %p-p max.)

RELATED PRODUCTS

- Blank filler plate (model: P-101)

GENERAL SPECIFICATIONS

Construction: Metal plates assembly

Coating: Zn-Cr (black), aluminized steel

Capacity: 2 positions

Connection

Output: M3.5 screw terminals (torque 0.8 N·m)

Pneumatic: Rc 3/8" female (torque \leq 12 N·m)

Power input: M3.5 screw terminals (torque 0.8 N·m)

Screw terminal: Nickel-plated steel

Manifold: Aluminium alloy

Isolation: I/O to power to FG

INSTALLATION

Power input

•AC: 85 - 132 V, 47 - 63 Hz, 15 VA maximum

•DC: 24 V DC \pm 10 %, (ripple 10 % p-p max.)

Operating temperature: -5 to 55°C (23 to 131°F)
0 to 55°C (32 to 131°F) for AC power

Operating humidity: 30 to 90 %RH (non-condensing)

Mounting: Angle bracket

Weight: 2 kg (4.4 lb)

PERFORMANCE

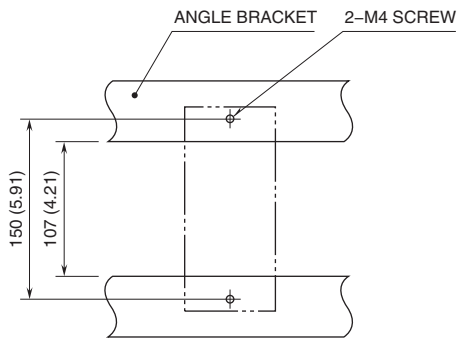
Insulation resistance: \geq 100 M Ω with 500 V DC

Dielectric strength: 500 V AC @ 1 minute
(I/O to power to FG)

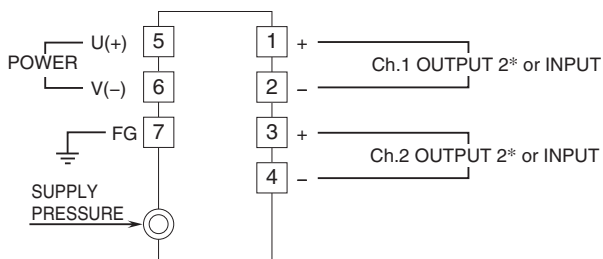
Maximum supply pressure: 196 kPa
(2 kgf/cm², 1.96 bar, 28 psig)



MOUNTING REQUIREMENTS unit: mm (inch)



CONNECTION DIAGRAM

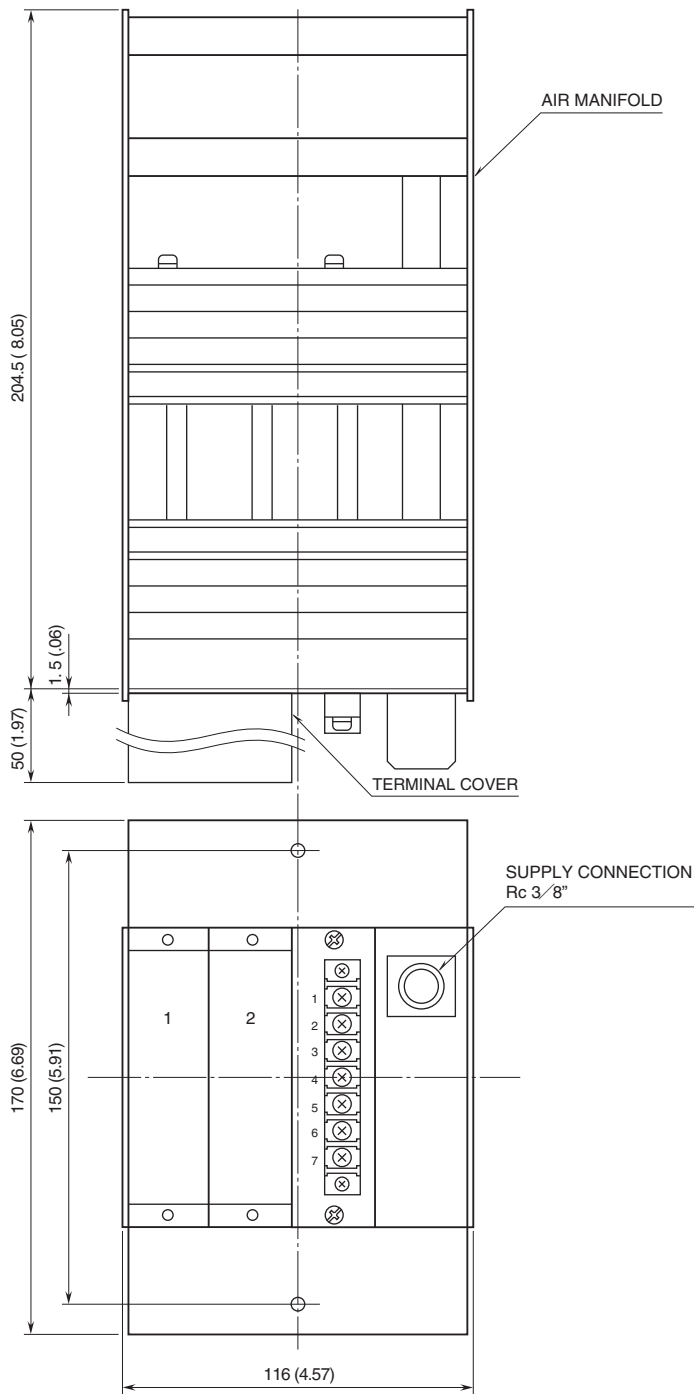


*Replaced with OUTPUT 1 for one output model.



MODEL: 10BXUA

DIMENSIONS unit: mm (inch)



Specifications are subject to change without notice.



幸託有限公司
XIN TOP CORPORATION

TEL : (02)2598-1199
FAX : (02)2596-2331

E-mail : info@xintop.com
Website : www.xintop.com