

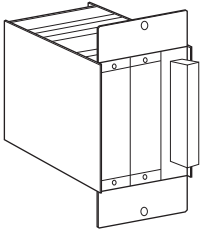
## High-density Signal Conditioners 10-RACK

### STANDARD RACK

(2 positions)

#### Functions & Features

- Standard rack for 10-RACK signal conditioners
- Line power supplied via the rear rack bus



0 to 55°C (32 to 131°F) for AC power

**Operating humidity:** 30 to 90 %RH (non-condensing)

**Mounting:** Angle bracket

**Weight:** Approx. 1 kg (2.21 lb)

### PERFORMANCE

**Insulation resistance:**  $\geq 100 \text{ M}\Omega$  with 500 V DC

**Dielectric strength:** 500 V AC @ 1 minute

(I/O to power to FG)

## MODEL: 10BXU-[1]

### ORDERING INFORMATION

- Code number: 10BXU-[1]

Specify a code from below for [1].

(e.g. 10BXU-K)

### [1] POWER SUPPLY UNIT

#### AC Power

K: 85 - 132 V AC

(Operational voltage range 85 - 132 V, 47 - 63 Hz)

#### DC Power

R: 24 V DC

(Operational voltage range 24 V  $\pm 10 \%$ , ripple 10 %p-p max.)

### RELATED PRODUCTS

- Blank filler plate (model: P-101)

### GENERAL SPECIFICATIONS

**Construction:** Metal plates assembly

**Coating:** Zn-Cr (black), aluminized steel

**Capacity:** 2 positions

**Connection:** M3.5 screw terminals (torque 0.8 N·m)

**Screw terminal:** Nickel-plated steel

**Isolation:** I/O to power to FG

### INSTALLATION

#### Power input

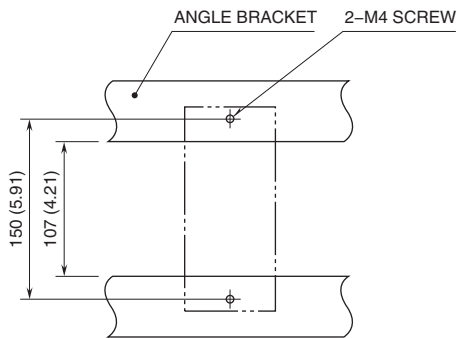
•AC: 85 - 132 V, 47 - 63 Hz, 15 VA maximum

•DC: 24 V DC  $\pm 10 \%$ , (ripple 10 % p-p max.)

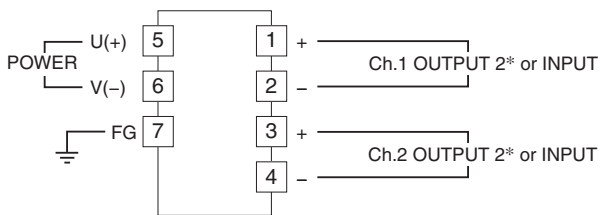
**Operating temperature:** -5 to 55°C (23 to 131°F)



**MOUNTING REQUIREMENTS unit: mm (inch)**



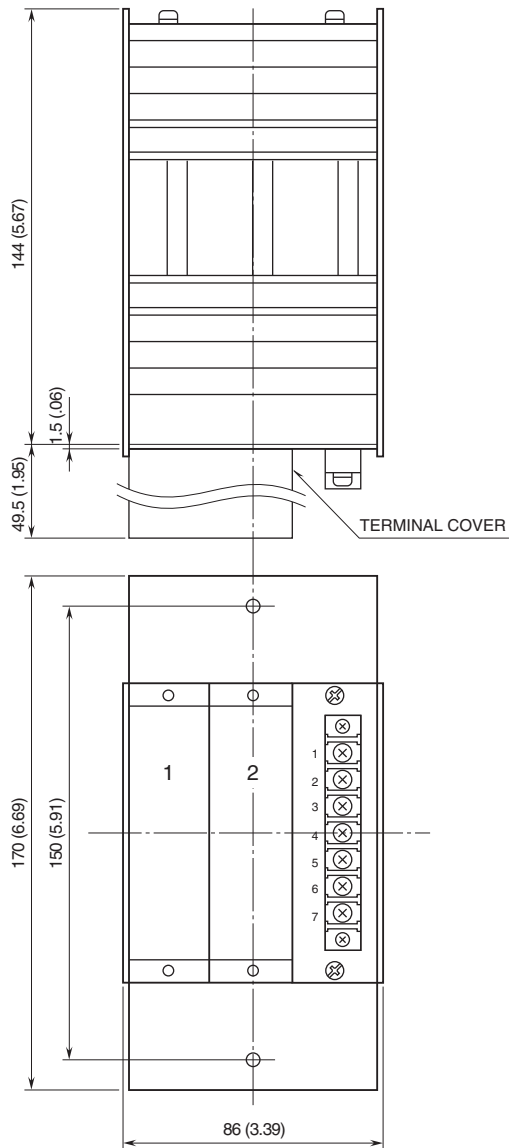
**CONNECTION DIAGRAM**



\*Replaced with OUTPUT 1 for one output model.



**DIMENSIONS unit: mm (inch)**



Specifications are subject to change without notice.

