

High-density Signal Conditioners 10-RACK

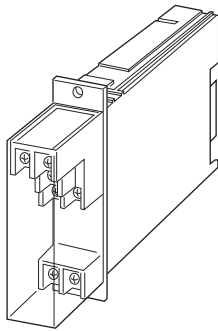
ANALOG BACKUP SWITCHER

Functions & Features

- Changing control from DCS output to manual operation
- Control output selectable by an external switch

Typical Applications

- Enabling manual operation of valves



MODEL: 10ABS-AA-R[1]

ORDERING INFORMATION

- Code number: 10ABS-AA-R[1]
Specify a code from below for [1].
(e.g. 10ABS-AA-R/Q)
- Specify the specification for option code /Q
(e.g. /C01)

INPUT

Current

A: 4 - 20 mA DC

OUTPUT

Current

A: 4 - 20 mA DC

POWER INPUT

DC Power

R: 24 V DC

(Operational voltage range 24 V \pm 10 %, ripple 10 %p-p max.)

[1] OPTIONS

blank: none

/Q: With options (specify the specification)

SPECIFICATIONS OF OPTION: Q

COATING (For the detail, refer to M-System's web site.)

/C01: Silicone coating

/C02: Polyurethane coating

/C03: Rubber coating

GENERAL SPECIFICATIONS

Construction: Rack-mounted; terminal access via screw terminals at the front and via card-edge connector at the rear; terminal cover provided

Connection

Input: M3.5 screw terminals (torque 0.8 N·m)

Output: M3.5 screw terminals (torque 0.8 N·m)

Power input: Supplied from card-edge connector

Screw terminal: Nickel-plated steel

Housing material: Flame-resistant resin (black)

Isolation: Input or output to power

Indicator LED: Light turns on during DCS control

INPUT SPECIFICATIONS

Input: control output of the DCS; 4 - 20 mA DC

OUTPUT SPECIFICATIONS

Output: 4 - 20 mA DC

Relay mechanical life: 5 x 10⁷ cycles

INSTALLATION

Current consumption: Approx. 40 mA

Operating temperature: -5 to +55°C (23 to 131°F)

Operating humidity: 30 to 90 %RH (non-condensing)

Mounting: Standard Rack 10BXx

Weight: 150 g (0.33 lb)

PERFORMANCE

Insulation resistance: \geq 100 M Ω with 500 V DC

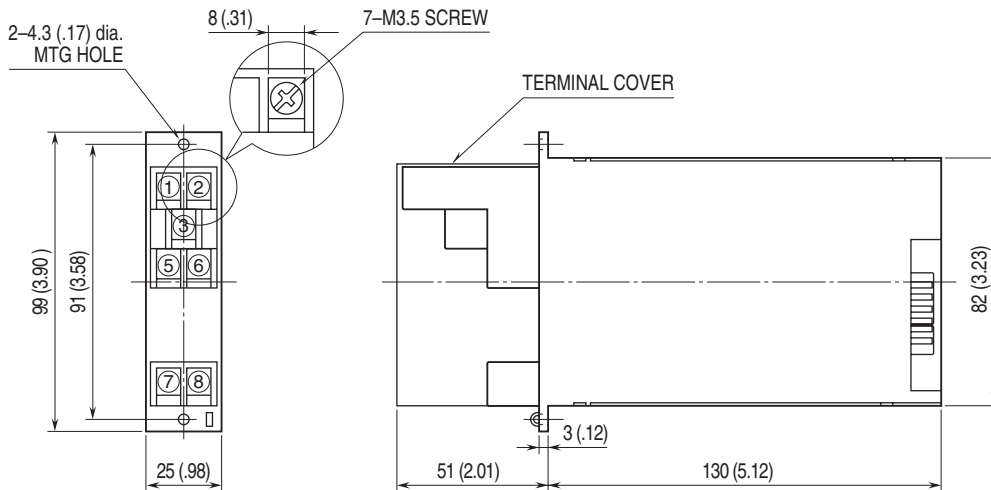
Dielectric strength: 1500 V AC @ 1 minute

(input or output to power)

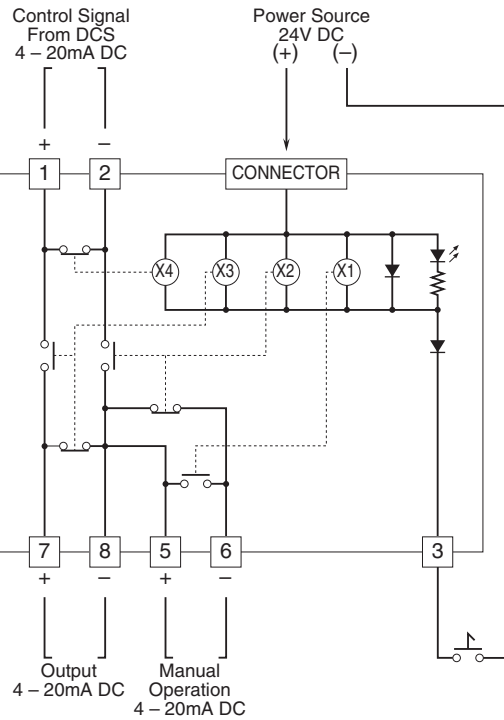
1500V AC @1 minute (input or output to ground)



EXTERNAL DIMENSIONS & TERMINAL ASSIGNMENTS unit: mm (inch)



SCHEMATIC CIRCUITRY & CONNECTION DIAGRAM



Specifications are subject to change without notice.

