

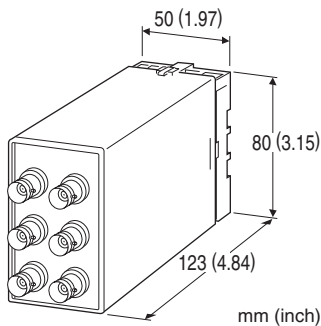
Dual Output Plug-in Signal Conditioners W-UNIT

ENCODER SIGNAL DISTRIBUTOR

(rotary encoder use, BNC connection)

Functions & Features

- Isolating two phase pulse input signals from a rotary encoder and distributing them to two outputs (input frequency = output frequency)
- Various outputs (open collector, voltage pulse, RS-422 line driver pulse)
- Can be used as a pulse isolator of two different I/O specs
- Converting RS-422 line driver pulse into an open collector pulse
- Maximum frequency of 1 MHz
- BNC connector
- Characteristic impedance 50Ω and 75Ω available



MODEL: WRPPB-[1][2][3][4]-[5][6]

ORDERING INFORMATION

- Code number: WRPPB-[1][2][3][4]-[5][6]
- Specify a code from below for each [1] through [6]. (e.g. WRPPB-A1K5K5N-M2/Q)
- Specify the specification for option code /Q (e.g. /C01/S01)

[1] INPUT

- A1:** Dry contact
- K:** 3.3 V pulse, input impedance approx. 8 kΩ 100 pF
- K5:** 3.3 V pulse, input impedance 50 Ω
- K7:** 3.3 V pulse, input impedance 75 Ω
- C:** 5 V pulse, input impedance approx. 14 kΩ 100 pF
- C5:** 5 V pulse, input impedance 50 Ω
- C7:** 5 V pulse, input impedance 75 Ω
- D:** 12 V/24 V pulse
- J:** RS-422 line driver pulse

[2] OUTPUT 1

- A:** Open collector
- K5:** 3.3 V pulse, output impedance 50 Ω
- K7:** 3.3 V pulse, output impedance 75 Ω
- M5:** 5 V pulse, output impedance 50 Ω
- M7:** 5 V pulse, output impedance 75 Ω
- Q7:** 10 V pulse, output impedance 50 Ω
- N:** 12 V pulse, load resistance 600 Ω
- J:** RS-422 line driver pulse

[3] OUTPUT 2

Same range availability as Output 1 (Q7 not selectable)

[4] OUTPUT LOGIC (both Input 1 & 2)

- N:** The same as the input
- R:** Inverted

[5] POWER INPUT

- AC Power**
- M2:** 100 - 240 V AC (Operational voltage range 85 - 264 V, 47 - 66 Hz)
- DC Power**
- R:** 24 V DC (Operational voltage range 24 V ±10 %, ripple 10 %p-p max.)
- P:** 110 V DC (Operational voltage range 85 - 150 V, ripple 10 %p-p max.)

[6] OPTIONS

- blank:** none
- /Q:** With options (specify the specification)

SPECIFICATIONS OF OPTION: Q (multiple selections)

- COATING (For the detail, refer to M-System's web site.)**
- /C01:** Silicone coating
- /C02:** Polyurethane coating
- /C03:** Rubber coating
- TERMINAL SCREW MATERIAL**
- /S01:** Stainless steel

GENERAL SPECIFICATIONS

- Construction:** Plug-in
- Connection**
- I/O:** BNC connectors (Recommended connector manufacturer: Hirose)
- Power input:** M3.5 screw terminals
- Screw terminal:** Chromated steel (standard) or stainless steel
- Housing material:** Flame-resistant resin (black)



Isolation: Input to output 1 to output 2 to power

Input pulse sensing: DC coupled

INPUT SPECIFICATIONS

■ Dry Contact

Max. frequency: 100 kHz

Min. pulse width: $\geq 5 \mu\text{s}$

Input requirements

Sensing: 5 V DC / 10 mA

Detecting level:

OFF: $\geq 3.0 \text{ V} / \geq 750 \Omega$

ON: $\leq 2.0 \text{ V} / \leq 333 \Omega$

Sensing voltage/current shows the excitation supply to the input terminal and the current value at the time of shortcircuit.

Detecting level shows the threshold used to determine ON or OFF status of the pulses and the resistance values of the dry contact of that time.

■ Voltage Pulse

Waveform: Square or sine

•3.3 V Pulse

Max. frequency: 1 MHz

Min. pulse width: $\geq 0.5 \mu\text{s}$

Input impedance: Approx. 8 k Ω 100 pF

Max. voltage between terminals (pulse): -10 - +15 V

Max. voltage between terminals (DC): -5 - +10 V DC

Detecting level: $V_H \geq 2.0 \text{ V}, V_L \leq 1.3 \text{ V}$

Input impedance: Approx. 50 Ω , 75 Ω

Max. voltage between terminals (pulse): -7 - +7.5 V

Max. voltage between terminals (DC): -5 - +10 V DC

Detecting level: $V_H \geq 1.5 \text{ V}, V_L \leq 0.75 \text{ V}$

•5 V Pulse

Max. frequency: 500 kHz

Min. pulse width: $\geq 1 \mu\text{s}$

Input impedance: Approx. 14 k Ω 100 pF

Max. voltage between terminals (pulse): -10 - +15 V

Max. voltage between terminals (DC): -5 - +10 V DC

Detecting level: $V_H \geq 3.0 \text{ V}, V_L \leq 2.0 \text{ V}$

Input impedance: Approx. 50 Ω , 75 Ω

Max. voltage between terminals (pulse): -7 - +10 V

Max. voltage between terminals (DC): -5 - +7.5 V DC

Detecting level: $V_H \geq 2.4 \text{ V}, V_L \leq 1.2 \text{ V}$

•12 V, 24 V Pulse

Max. frequency: 100 kHz

Min. pulse width: $\geq 5 \mu\text{s}$

Input impedance: Approx. 20 k Ω

Max. voltage between terminals (pulse): -30 - +50 V

Max. voltage between terminals (DC): -30 - +50 V DC

Detecting level: $V_H \geq 7.0 \text{ V}, V_L \leq 5.0 \text{ V}$

■ RS-422 Line Driver Pulse

Maximum frequency: 1 MHz

Receiver: Conforms to RS-422

OUTPUT SPECIFICATIONS

■ Open collector

Max. frequency: 100 kHz

Rating: 50 V DC @ 100 mA

Saturation voltage: 0.12 V DC

■ Voltage Pulse (open voltage):

Rating (3.3, 5, 10 or 12 V) $\pm 20 \%$

Max. frequency ; Load resistance (the lower value of either this or the maximum frequency of the input signal)

3.3 V 1 MHz / Output code K5: 50 Ω , K7: 75 Ω

5 V 500 kHz / Output code M5: 50 Ω , M7: 75 Ω

10 V 200 kHz / 75 Ω

12 V 100 kHz / 600 Ω

($\geq 6 \text{ V}$ @ 600 Ω load)

Low level: $\leq 0.5 \text{ V}$

■ RS-422 Line Driver Pulse: Conforms to RS-422

Max. frequency: 1 MHz

Output current: $\pm 20 \text{ mA}$

INSTALLATION

Power Consumption

•AC:

Approx. 4 VA at 100 V

Approx. 5 VA at 200 V

Approx. 6 VA at 240 V

•DC: Approx. 3 W

Operating temperature: -5 to +55°C (23 to 131°F)

Operating humidity: 30 to 90 %RH (non-condensing)

Mounting: Surface or DIN rail

Weight: 260 g (0.57 lb)

PERFORMANCE

Response time

•Lower value of I/O max. frequency is 1 MHz:

0.15 - 0.5 μsec .

•Lower value of I/O max. frequency is 500 kHz:

0.2 - 1.2 μs

•Lower value of I/O max. frequency is less than 500 kHz:

0.2 - 2 μsec .

Insulation resistance: $\geq 100 \text{ M}\Omega$ with 500 V DC

Dielectric strength: 500 V AC @ 1 minute (input to output 1 to output 2)

2000 V AC @ 1 minute (input or output 1 or output 2 to power to ground)

STANDARDS & APPROVALS

EU conformity:

EMC Directive

EMI EN 61000-6-4

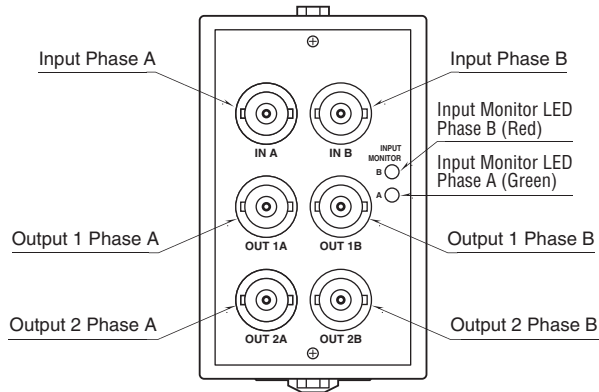
EMS EN 61000-6-2

Low Voltage Directive



EN 61010-1
 Measurement Category II
 Pollution Degree 2
 Input or output 1 or output 2 to power input:
 Reinforced insulation (300 V)
 Input to output 1 to output 2: Basic insulation (300 V)
 RoHS Directive
 EN 50581

EXTERNAL VIEW



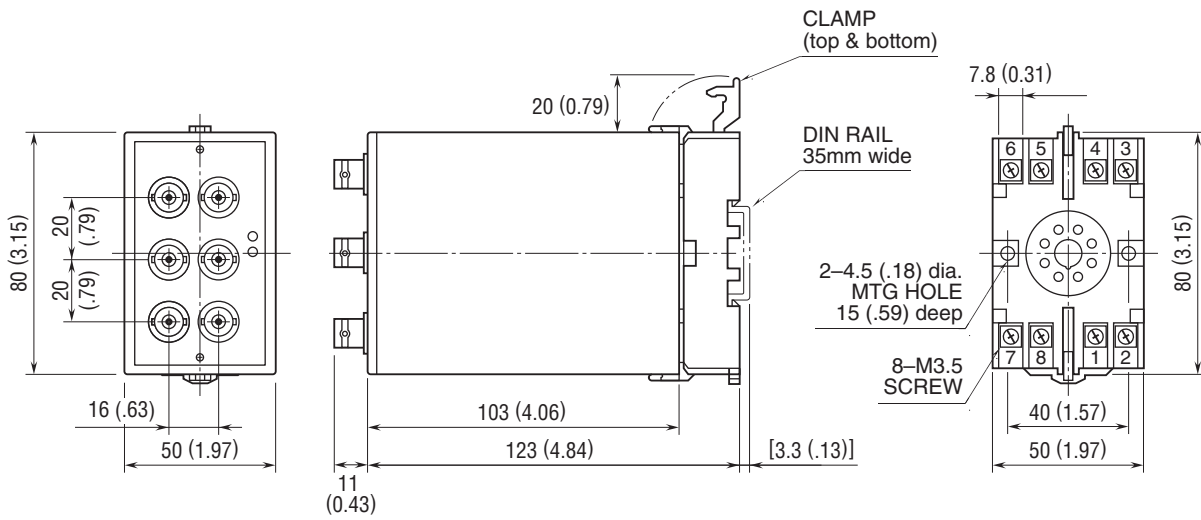
OUTPUT LOGIC

Applicable for both Output 1 and 2.

Input \ Output		Voltage pulse RS-422 line driver pulse	Dry contact
		H L	OFF ON
Voltage pulse or RS-422 line driver pulse	Non-inverted	H L	H L
	Inverted	H L	H L
Open collector	Non-inverted	OFF ON	OFF ON
	Inverted	OFF ON	OFF ON



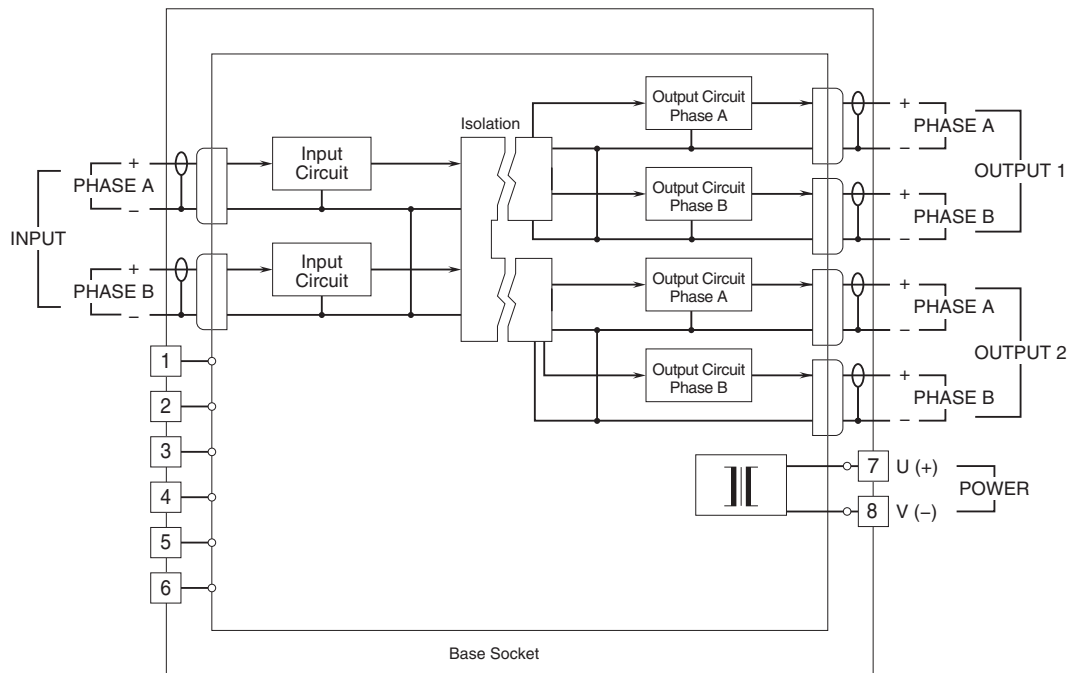
EXTERNAL DIMENSIONS & TERMINAL ASSIGNMENTS unit: mm (inch)



• When mounting, no extra space is needed between units.

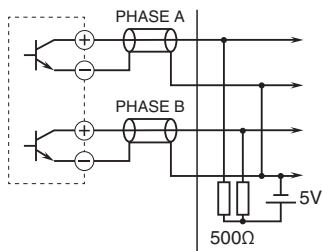


SCHEMATIC CIRCUITRY & CONNECTION DIAGRAM

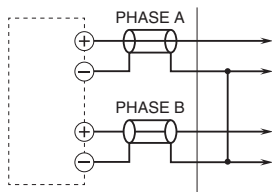


Input Connection Examples

• Dry Contact Input

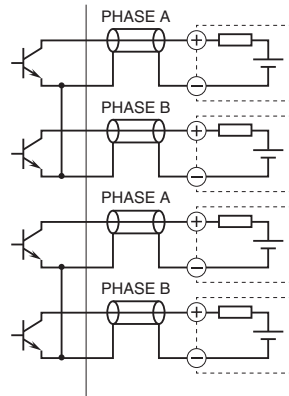


• Voltage Pulse Input

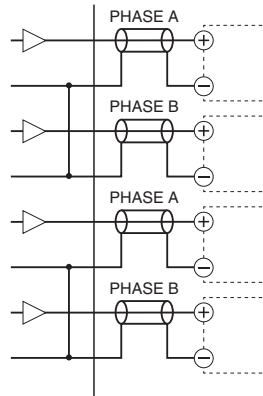


Output Connection Examples

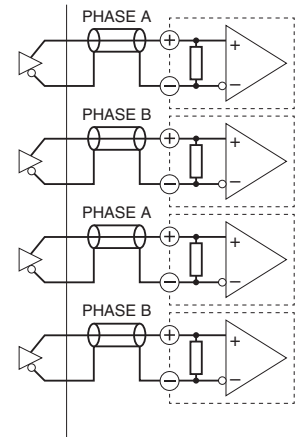
• Open Collector Output



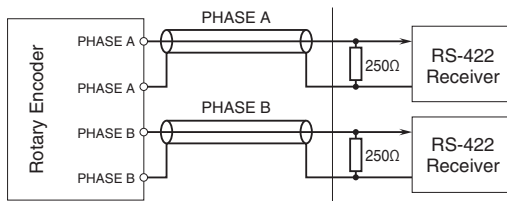
• Voltage Pulse Output



• RS-422 Line Driver Pulse Output



• RS-422 Line Driver Pulse Input





Specifications are subject to change without notice.



幸託有限公司
XIN TOP CORPORATION

TEL : (02)2598-1199

FAX : (02)2596-2331

E-mail : info@xintop.com

Website : www.xintop.com