

Space-saving Signal Conditioners M3-UNIT Series

-2.5 - +2.5 V DC
-10 - +10 V DC

SIGNAL TRANSMITTER

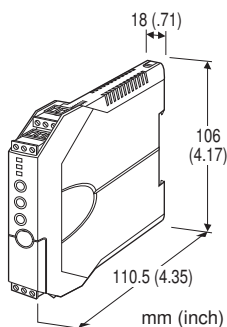
(field- and PC-configurable)

Functions & Features

- Accepts a DC mV, V or mA input and provides an isolated DC signal
- Easy 'One-Step Cal' calibration using the front three control buttons without needing a PC; PC software is also usable.
- Both input and output type and range are configurable
- Front control button function can be locked

Typical Applications

- Signal conversion between control room and field instrumentation with isolation
- Ideal for use as a fast solution, multifunctional spare part



POWER INPUT

DC Power

R4: 10 - 32 V DC

(Operational voltage range 9 - 36 V, ripple 10 %p-p max.)

[1] CONFIGURATION OPTIONS

A: PC and field configurable

B: Field configurable

[2] OPTIONS

Standards & Approvals

blank: CE marking

/UL: UL approval, CE marking

Other Options

blank: none

/Q: Option other than the above (specify the specification)

(UL not available)

SPECIFICATIONS OF OPTION: Q

COATING (For the detail, refer to M-System's web site.)

/C01: Silicone coating

/C02: Polyurethane coating

/C03: Rubber coating

MODEL: M3LV-R4/[1][2]

ORDERING INFORMATION

- Code number: M3LV-R4/[1][2]

Specify a code from below for each [1] and [2].

(e.g. M3LV-R4/A/Q)

- Specify the specification for option code /Q

(e.g. /C01)

Orders will be shipped with default factory settings (4 - 20

mA input / 4 - 20 mA output).

INPUT - Field-selectable

DC Current & Voltage

Current: 0 - 20 mA DC

Millivolt: -1000 - +1000 mV DC

Voltage: -10 - +10 V DC

OUTPUT - Field-selectable

Current

0 - 20 mA DC

Voltage

RELATED PRODUCTS

- PC configurator software (model: M3CFG)

Downloadable at M-System's web site.

A dedicated cable is required to connect the module to the PC. Please refer to the internet software download site or the users manual for the PC configurator for applicable cable types.

GENERAL SPECIFICATIONS

Construction: Small-sized front terminal structure

Connection: Euro type connector terminal

Housing material: Flame-resistant resin (gray)

Isolation: Input to output to power

Overrange output: -15 to +115 %

Zero adjustment: -15 to +15 % (front)

Span adjustment: 85 to 115 % (front)

Status indicator LED: Tri-color (green/amber/red) LED;

Blinking patterns indicate operation status of the transmitter.

Configuration

PC Configurator: (Model: M3LVCFG) via Windows PC connected to the front jack.

Programmable features include:



幸託有限公司
XIN TOP CORPORATION

TEL : (02)2598-1199

FAX : (02)2596-2331

E-mail : info@xintop.com

Website : www.xintop.com

- I/O type and range
 - Zero and span adjustments
 - User's linearization table setting
- (max. 101 points, specified within -15 to +115 % for both input and output)

(Refer to the instruction manual)

'One-Step Cal' calibration: With I/O type and the full-scale range configured via the internal DIP switches, precise 0 % and 100 % ranges are calibrated via the front control buttons with a help of LED. Also I/O calibration and fine adjustment are available with a PC.

Configurator connection: 2.5 dia. miniature jack;
RS-232-C level

INPUT SPECIFICATIONS

■ **DC Current:** 49.9 Ω resistor incorporated

Maximum range: 0 - 20 mA DC

Minimum span: 2 mA

Offset: Lower range can be any specific value within the input range provided that the minimum span is maintained.

■ **DC mV & Voltage**

• **Narrow Spans (mV)**

Maximum range: -1000 mV - +1000 mV DC

Minimum span: 100 mV

• **Wide Spans (V)**

Maximum range: -10 - +10 V DC

Minimum span: 1 V

Offset: Lower range can be any specific value within the input range provided that the minimum span is maintained.

Input resistance: 1 MΩ minimum

OUTPUT SPECIFICATIONS

■ **DC Current**

Maximum range: 0 - 20 mA DC

Minimum span: 1 mA

Conformance range: 0 - 24 mA DC

(Negative overrange current below 0 mA is not available.)

Offset: Lower range can be any specific value within the output range provided that the minimum span is maintained.

Load resistance: Output drive 12 V maximum

■ **DC Voltage**

Narrow Spans

Maximum range: -2.5 - +2.5 V DC

Minimum span: 250 mV

Conformance range: -3 - +3 V DC

Wide Spans

Maximum range: -10 - +10 V DC

Minimum span: 1 V

Conformance range: -11.5 - +11.5 V DC

Offset: Lower range can be any specific value within the

output range provided that the minimum span is maintained.

Load resistance: Output drive 1 mA maximum

INSTALLATION

Power consumption

• **DC:** Approx. 3 W

Operating temperature: -25 to +65°C (-13 to +149°F)
Max. 55°C (131°F) for UL approval

Operating humidity: 0 to 95 %RH (non-condensing)

Mounting: DIN rail

Weight: 100 g (3.53 oz)

PERFORMANCE

Accuracy: Input Accuracy + Output Accuracy

Input accuracy: (% of input range)

(Inversely proportional to the span.)

-1000 - +1000 mV : ±0.01 (%)

-10 - +10 V : ±0.01

0 - 20 mA : ±0.02

Output accuracy: ±0.04 % of output range

(Inversely proportional to the span.)

Temp. coefficient: ±0.015 %/°C (±0.008 %/°F) of max. span

Response time: ≤ 0.5 sec. (0 - 90 %)

Line voltage effect: ±0.1 % over voltage range

Insulation resistance: ≥ 100 MΩ with 500 V DC

Dielectric strength: 1500 V AC @ 1 minute

(input to output or power to ground)

500 V AC @ 1 minute (output to power)

CALCULATION EXAMPLES OF OVERALL ACCURACY

[Example] Input Signal 1 - 5 V, Output Signal 1 - 5 V

Max. Input Range (20 V) ÷ Span (4 V) × 0.01 % +

Max. Output Range (20 V) ÷ Span (4 V) × 0.04 % = 0.25 %

STANDARDS & APPROVALS

EU conformity:

EMC Directive

EMI EN 61000-6-4

EMS EN 61000-6-2

RoHS Directive

EN 50581

Approval:

UL/C-UL general safety requirements

(UL 61010-1, CAN/CSA-C22.2 No.1010-1)



幸託有限公司

XIN TOP CORPORATION

TEL : (02)2598-1199

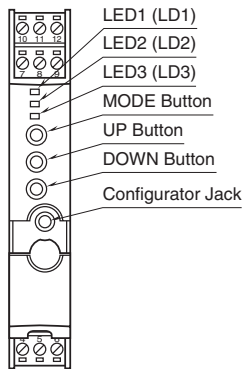
FAX : (02)2596-2331

E-mail : info@xintop.com

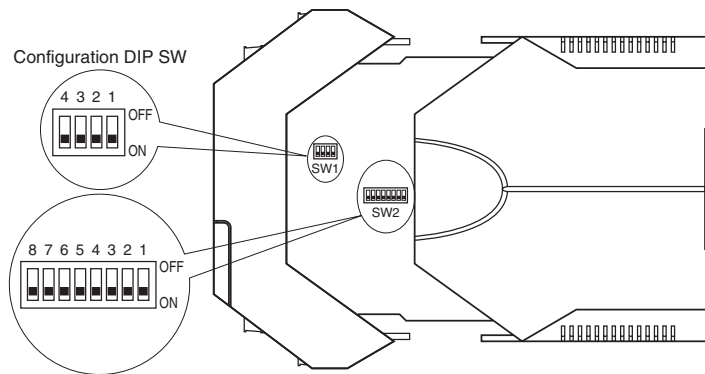
Website : www.xintop.com

EXTERNAL VIEW

■ FRONT VIEW



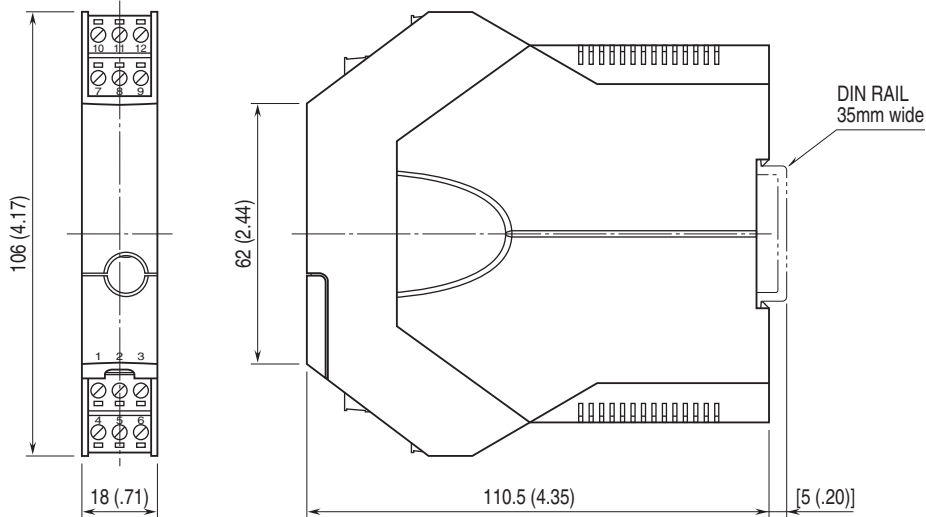
■ SIDE VIEW



The DIP switch setting is required to select output types before setting a precise output range using the PC configurator software.

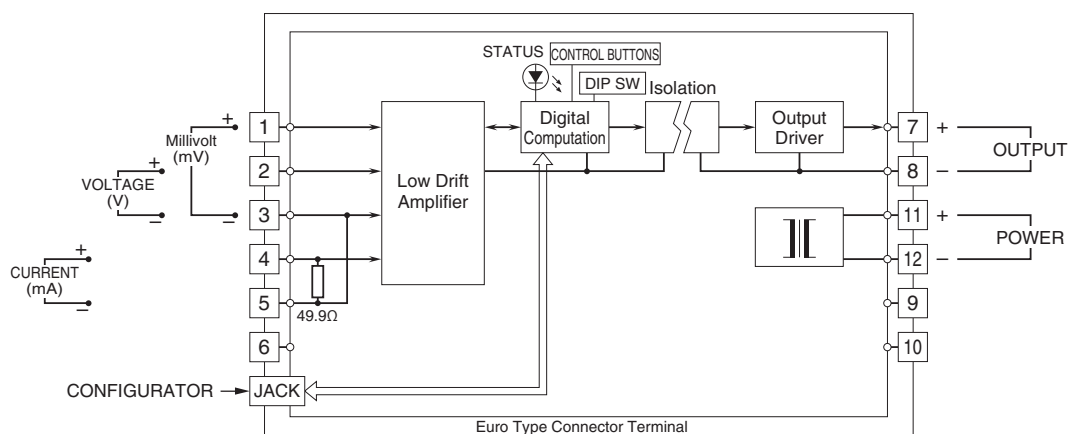
For detailed information on the configuration and calibration, refer to the instruction manual.

EXTERNAL DIMENSIONS & TERMINAL ASSIGNMENTS unit: mm (inch)



• When mounting, no extra space is needed between units.

SCHEMATIC CIRCUITRY & CONNECTION DIAGRAM





Specifications are subject to change without notice.

