

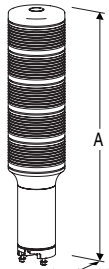
## Tower Light Series

### DISCRETE INPUT TOWER LIGHT

(super-small size, 60 mm dia., 1 - 5 layers)

#### Functions & Features

- Discrete input tower light
- Lighting, blinking and buzzing are controllable with PLC.



mm (inch.)

Lamp Layers	A
1	140 (5.51)
2	172 (6.77)
3	204 (8.03)
4	236 (9.29)
5	268 (10.55)

## MODEL: IT60SA2-[1][2][3][4][5][6]2-AR

### ORDERING INFORMATION

- Code number: IT60SA2-[1][2][3][4][5][6]2-AR
- Specify a code from below for each [1] through [6].
- (e.g. IT60SA2-5RYGBW2-AR)

#### [1] LAMP LAYERS

- 1: 1 layer
- 2: 2 layers
- 3: 3 layers
- 4: 4 layers
- 5: 5 layers

#### [2] LAMP 1 COLOR

(1st layer from the top)

- R: Red
- Y: Amber
- G: Green
- B: Blue
- W: White

#### [3] LAMP 2 COLOR

(2nd layer from the top)

- R: Red
- Y: Amber

G: Green

B: Blue

W: White

N: None (not available when Lamp Layers selected are 2 - 5)

#### [4] LAMP 3 COLOR

(3rd layer from the top)

R: Red

Y: Amber

G: Green

B: Blue

W: White

N: None (not available when Lamp Layers selected are 3 - 5)

#### [5] LAMP 4 COLOR

(4th layer from the top)

R: Red

Y: Amber

G: Green

B: Blue

W: White

N: None (not available when Lamp Layers selected are 4 - 5)

#### [6] LAMP 5 COLOR

(5th layer from the top.)

R: Red

Y: Amber

G: Green

B: Blue

W: White

N: None (not available when Lamp Layers selected are 5)

\* The selection of the same color for more than one layer is not available.

\* Select "None" option for the layers other than the selected.

#### BLINKING BUZZING

2: With blinking, buzzing

#### POWER INPUT

Universal

AR: 24 V AC (Operational voltage range 24 V ±10 %, 47 - 66 Hz)

24 V DC (Operational voltage range 24 V ±10 %, ripple 10 %p-p max.)

#### RELATED PRODUCTS

- Mounting Pole (model: ITPL2)



**幸託有限公司**  
XIN TOP CORPORATION

TEL : (02)2598-1199

FAX : (02)2596-2331

E-mail : info@xintop.com

Website : www.xintop.com

## GENERAL SPECIFICATIONS

**Degree of protection:** IP 65, vertical mounting only (bottom excluded)

**Connection:** UL1007 AWG22

**Housing material:** Flame-resistant resin

**Lens:** Flame-resistant resin (transparent)

**Lamp:** Red, amber, green, blue and white LEDs on/blinking (approx. 2 Hz)

**Buzzing:**

**Interval:** Approx. 3.3 kHz discontinuance (approx. 2 Hz, 10 Hz)

**Volume:** Buzzing volume control

## INPUT SPECIFICATIONS

**Discrete Input:** Dry contact, open collector PNP or NPN

**Rated input voltage:**

24 V AC (Operational voltage range 24 V  $\pm$ 10 %, 47 - 66 Hz)

24 V DC (Operational voltage range 24 V  $\pm$ 10 %, ripple 10 %p-p max.)

**Input current:**

Lamp:  $\leq$  28 mA/point (@24 V DC)

Buzzer:  $\leq$  80 mA (@24 V DC)

**Input resistance:**

Lamp: Approx. 600  $\Omega$

Buzzer: Approx. 340  $\Omega$

## INSTALLATION

**Power consumption**

•AC:  $\leq$  4.8 VA 24 V AC

•DC:  $\leq$  4.2 W 24 V DC

**Operating temperature:** -10 to +55°C (14 to 131°F)

**Operating humidity:** 30 to 90 %RH (non-condensing)

**Atmosphere:** No corrosive gas

**Mounting:** Direct mounting

**Mounting direction:** Vertical

**Weight:** 450 g (0.99 lb)

## STANDARDS & APPROVALS

**CE conformity:**

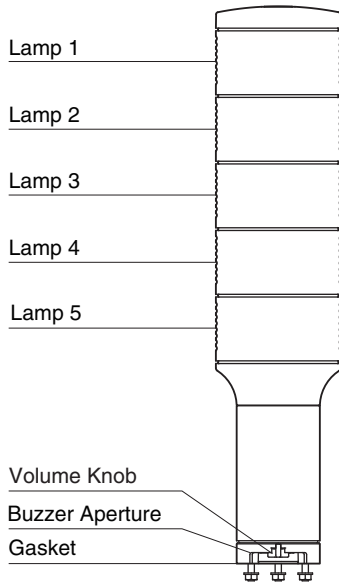
EMC Directive (2004/108/EC)

EN 60947-5-1: 2004/A1: 2009

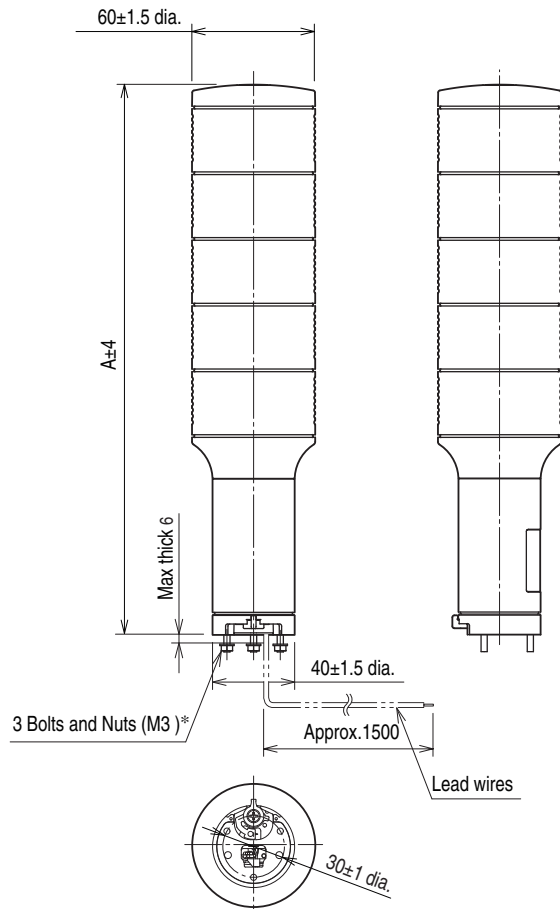


**EXTERNAL VIEW**

■ FRONT VIEW



**DIMENSIONS unit: mm**

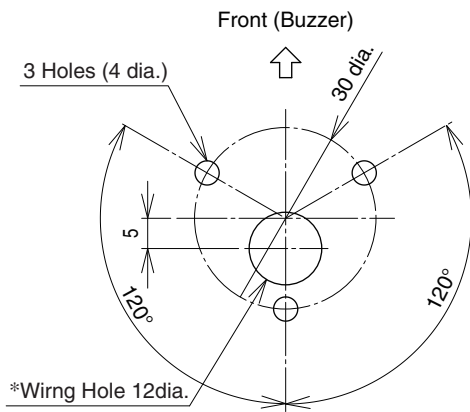


Lamp Layers	A
1	140
2	172
3	204
4	236
5	268

\* Consult M-System for other bolt length.

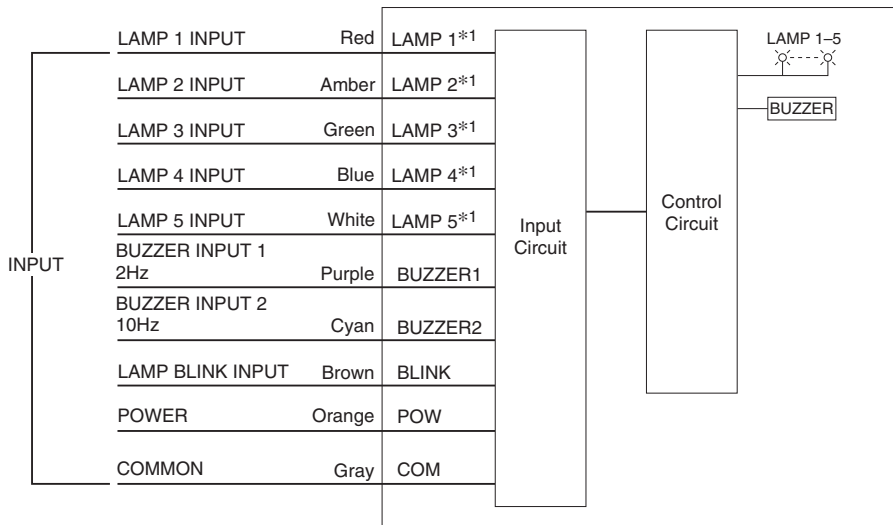


**MOUNTING REQUIREMENTS unit: mm**



\*Protect wires to prevent scratching them at the edge of the compartment.

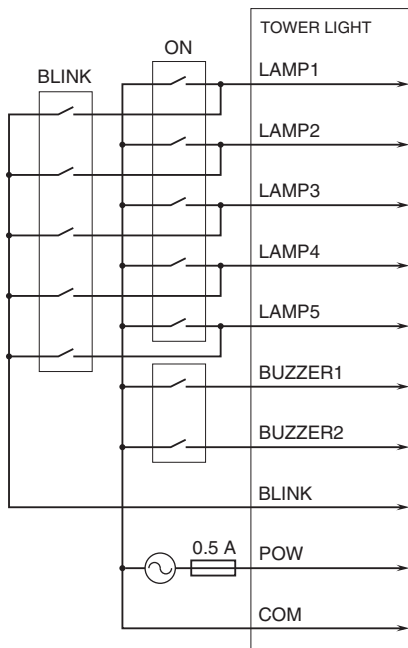
## SCHEMATIC CIRCUITRY & CONNECTION DIAGRAM



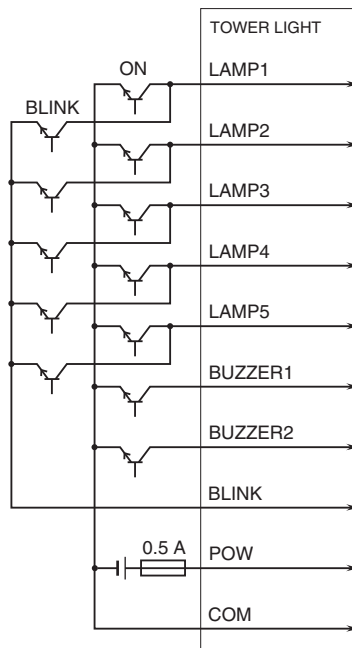
\*1. Example of 5 layers in order: red, amber, green, blue and white.  
Lamp and wire color are the same.

### ■ WIRING TO INPUT SIGNAL

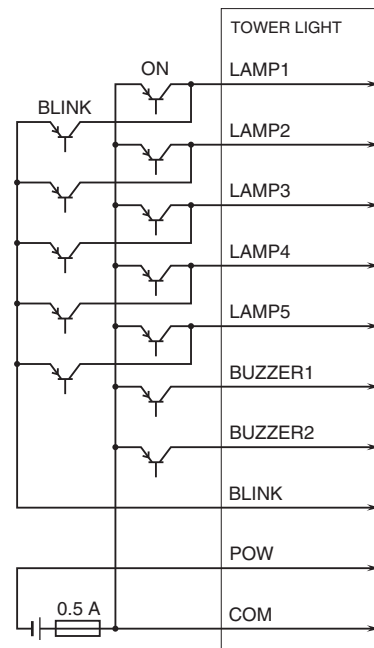
• Contact input e.g.



• NPN input e.g.



• PNP input e.g.



Note 1: If "On" and "Blink" are set simultaneously for a single lamp, "Blink" is disabled.

Note 2: If "On" is set for Buzzer 1 and Buzzer 2 simultaneously, Buzzer 2 is disabled.

Note 3: NPN input and PNP input are available only for 24 V DC.



Specifications are subject to change without notice.