

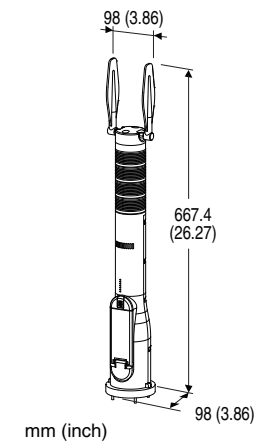
**Tower Light Series**

**DISCRETE INPUT TOWER LIGHT**

(60 mm dia., 4 layers)

**Functions & Features**

- Lighting, blinking and buzzing are controllable with PLC.
- Bi-color lighting available in fourth layer
- Separable tension clamp terminal
- Switchable between positive and negative common for input
- Sensor excitation (24 V DC) incorporated



**MODEL: IT60A1-4[1][2][3][4][5]D[6]-[7]**

**ORDERING INFORMATION**

- Code number: IT60A1-4[1][2][3][4][5]D[6]-[7]
- Specify a code from below for each [1] through [7].  
(e.g. IT60A1-4RYGBWD1-M2)

**LAMP LAYERS**

4: 4 layers

**[1] LAMP 1 COLOR**

(1st layer from the top)

- R: Red
- Y: Amber
- G: Green
- B: Blue
- W: White

**[2] LAMP 2 COLOR**

(2nd layer from the top)

- R: Red
- Y: Amber
- G: Green
- B: Blue
- W: White

**[3] LAMP 3 COLOR**

(3rd layer from the top)

- R: Red
- Y: Amber
- G: Green
- B: Blue
- W: White

**[4] LAMP 4 COLOR**

(4th layer from the top)

- R: Red
- Y: Amber
- G: Green
- B: Blue
- W: White

**[5] LAMP 5 COLOR**

- R: Red
- Y: Amber
- G: Green
- B: Blue
- W: White
- N: None

**MOUNTING**

D: Direct mounting

**[6] DESIGN TYPE**

- 1: Type 1
- 2: Type 2 (with dummy antennae)  
(refer to outline dimensions)

**[7] POWER INPUT**

**AC Power**

M2: 100 - 240 V AC (Operational voltage range 85 - 264 V, 47 - 66 Hz)

**DC Power**

R: 24 V DC  
(Operational voltage range 24 V ±10 %, ripple 10 %p-p max.)



## GENERAL SPECIFICATIONS

**Degree of protection:** IP 65, vertical mounting only (bottom connectors excluded)

### Connection

**Power input/Input:** Separable tension clamp terminal

**Applicable wire size:** 0.2 to 1.5 mm<sup>2</sup>, stripped length 10 mm

### Recommended solderless terminal:

AI0,5-10WH 0.5mm<sup>2</sup> (Phoenix Contact)

AI0,75-10GY 0.75mm<sup>2</sup> (Phoenix Contact)

**Housing material:** Flame-resistant resin (white)

**Lens:** Flame-resistant resin (transparent)

**Isolation:** Discrete input to power input to FE1 (Functional Earth)

**DIP SW Setting:** Frequency of lamp blinking and buzzing discontinuance, buzzing volume level, input specification. (refer to the instruction manual)

**Power LED:** Green light turns on when the power is supplied.

**Lamp:** Red, amber, green, blue and white LEDs on/blinking (approx. 2 Hz, 10 Hz)

**Buzzing:** Approx. 3.3 kHz

**Interval:** continuous/intermittent (approx. 2 Hz, 10 Hz)

## INPUT SPECIFICATIONS

■ **Discrete Input:** Dry contact, open collector PNP NPN

**Input resistance:** Approx. 50 kΩ

**Common:** Negative common NPN, positive common PNP

**Sensing:** Approx. 24 V DC

**ON/OFF level:** ≤ 4 V / ≤ 10 kΩ for ON; ≥ 20 V / ≥ 100 kΩ for OFF

## INSTALLATION

### Power consumption

• **AC:** Approx. 5 VA at 100 V

Approx. 7 VA at 200 V

Approx. 8 VA at 240 V

• **DC:** Approx. 2.5 W; approx. 100 mA

**Operating temperature:** -10 to +55°C (14 to 131°F)

**Operating humidity:** 30 to 90 %RH (non-condensing)

**Atmosphere:** No corrosive gas

**Mounting:** Direct mounting

**Mounting direction:** Vertical

**Weight:** 1.4 kg (3.1 lb)

## PERFORMANCE

**Insulation resistance:** ≥ 100 MΩ with 500 V DC

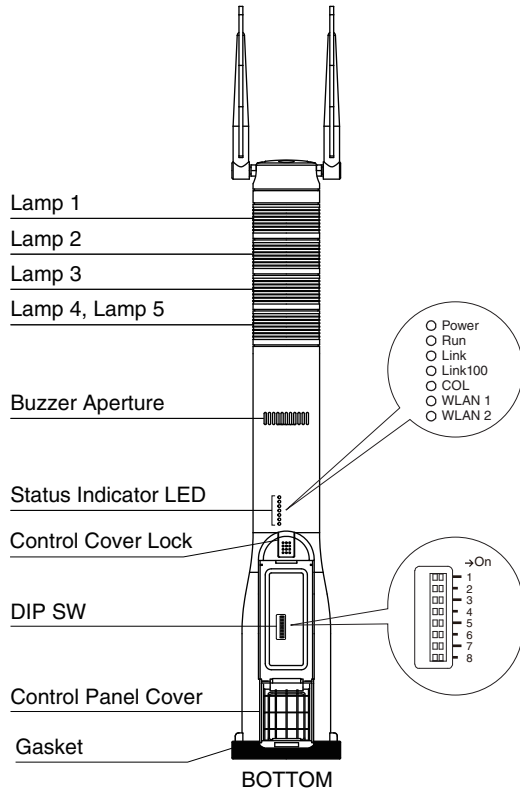
**Dielectric strength:** 1500 V AC @ 1 minute

(Discrete input to power input to FE1)

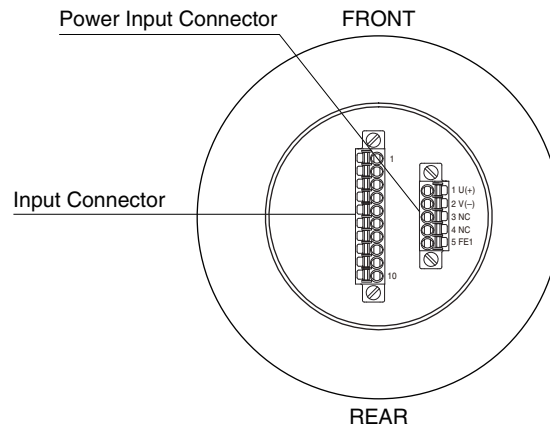


## EXTERNAL VIEW

### FRONT VIEW

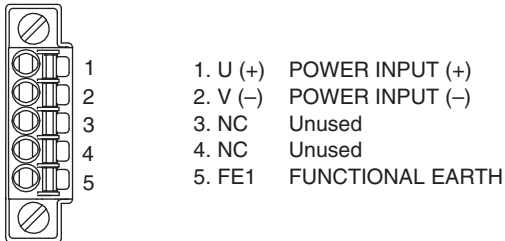


### BOTTOM VIEW

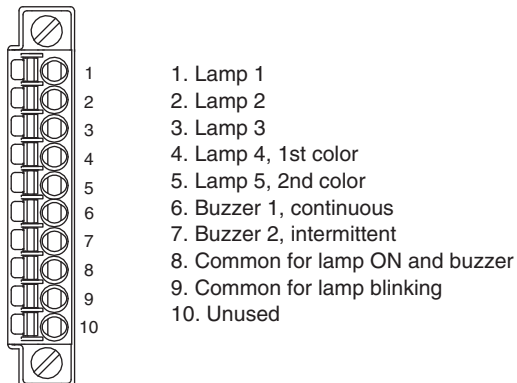


## TERMINAL ASSIGNMENTS

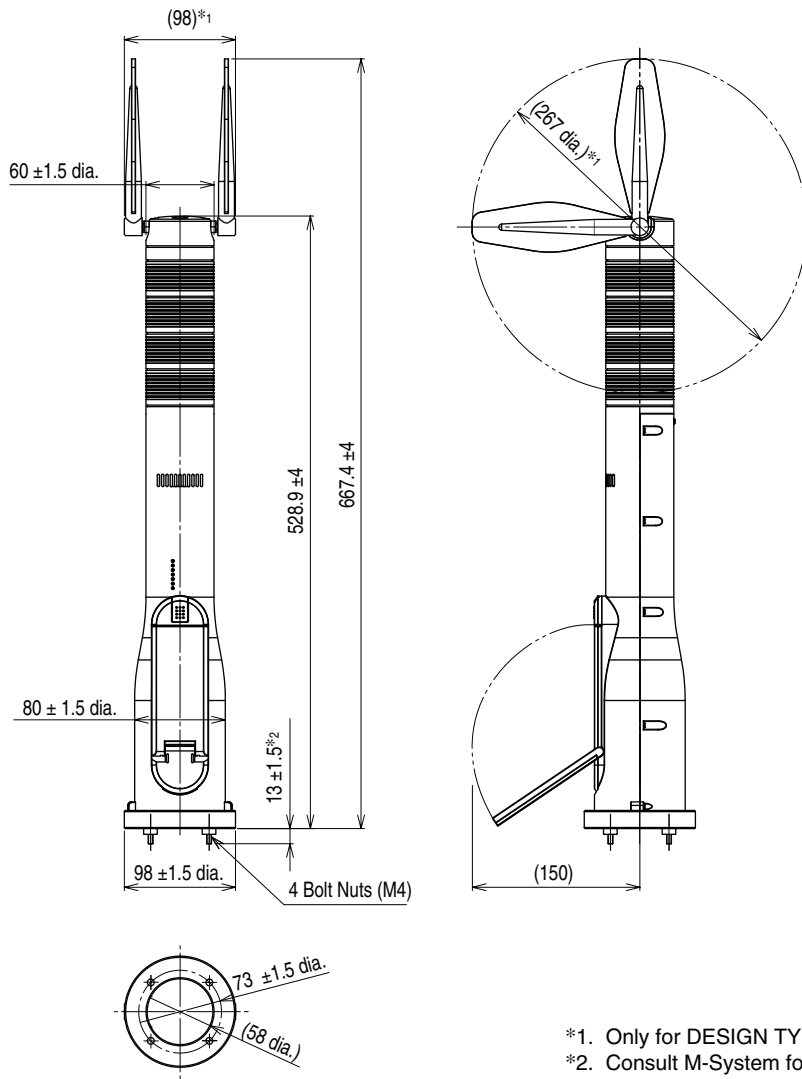
### POWER CONNECTOR



### INPUT CONNECTOR

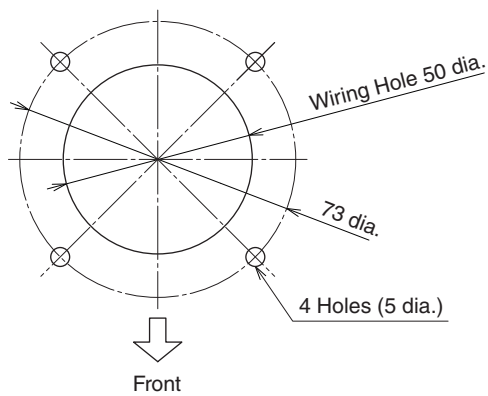


**DIMENSIONS unit: mm**

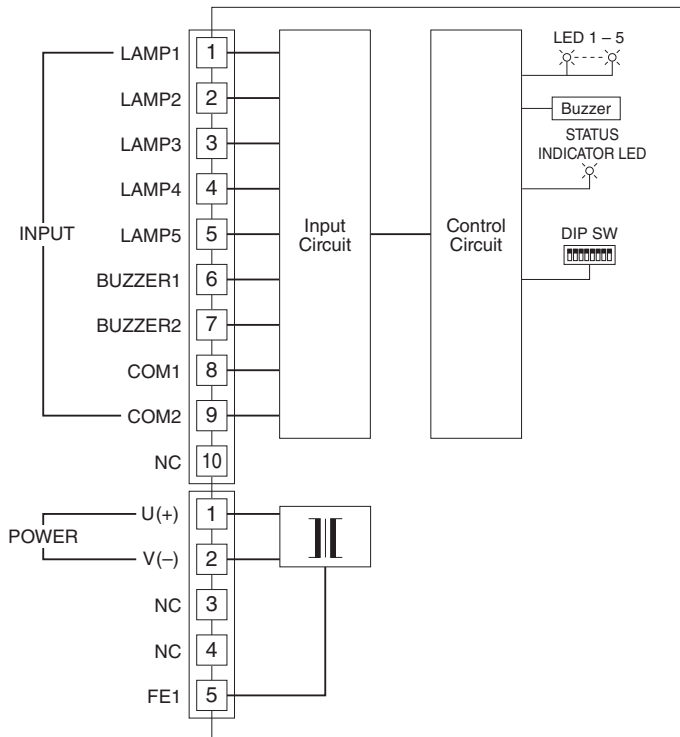


\*1. Only for DESIGN TYPE option code 2.  
 \*2. Consult M-System for other bolt length.

**MOUNTING REQUIREMENTS unit: mm**

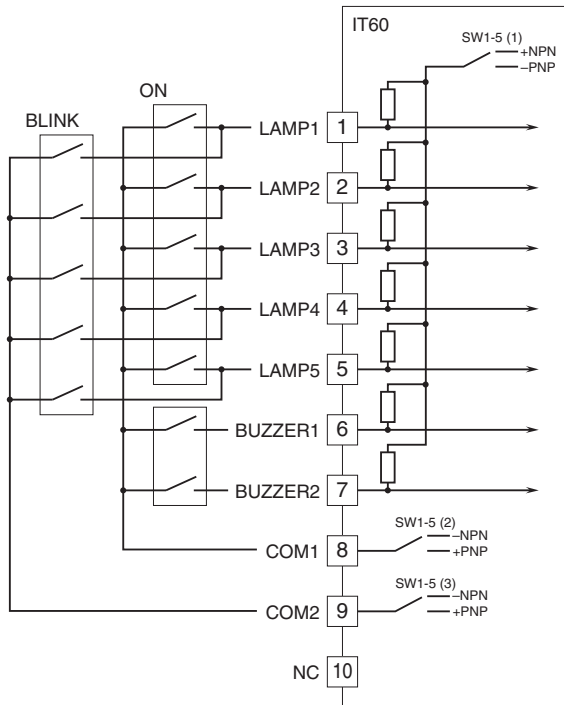


## SCHEMATIC CIRCUITRY & CONNECTION DIAGRAM

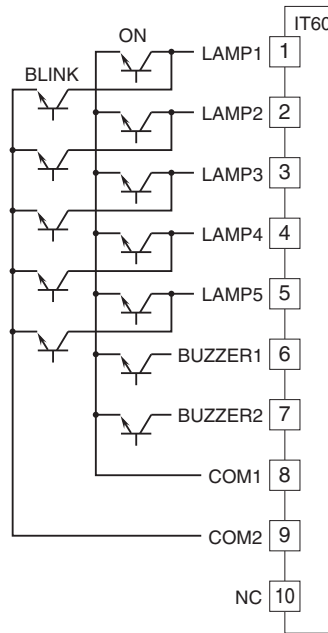


### ■ WIRING TO INPUT SIGNAL

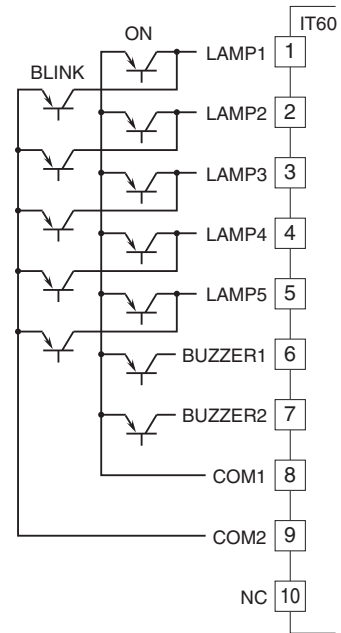
• Contact input connection e.g.



• NPN input e.g.



• PNP input e.g.



Note 1: SW1-5 turns on NPN input and contact input; PNP input turns off SW1-5 input.

Note 2: If "On" (Continuous) and "Blink" (Intermittent) are set simultaneously for a single lamp (buzzer), "Blink" (Intermittent) is disabled.

If one of lamps is set "On" and "Blinking" simultaneously, setting of "Blinking" for other lamps is disabled.





Specifications are subject to change without notice.

