

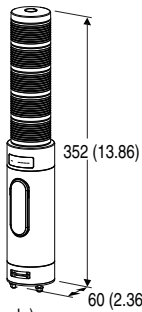
## Tower Light Series

### ETHERNET TOWER LIGHT

(small size, 50 mm dia., Modbus/TCP, 1 - 5 layers)

#### Functions & Features

- Lighting, blinking and buzzing available with PLC or PC via Modbus/TCP.



Lamp Layers	A
1	224 (8.82)
2	256 (10.08)
3	288 (11.34)
4	320 (12.60)
5	352 (13.86)

**MODEL: IT50SRE-[1][2][3][4][5][6]D1-[7]**

#### ORDERING INFORMATION

- Code number: IT50SRE-[1][2][3][4][5][6]D1-[7]
- Specify a code from below for each [1] through [7].  
(e.g. IT50SRE-5RYGBWD1-R)

#### [1] LAMP LAYERS

- 1: 1 layer
- 2: 2 layers
- 3: 3 layers
- 4: 4 layers
- 5: 5 layers

#### [2] LAMP 1 COLOR

(1st layer from the top)

- R: Red
- Y: Amber
- G: Green
- B: Blue
- W: White

#### [3] LAMP 2 COLOR

(2nd layer from the top)

- R: Red

Y: Amber

G: Green

B: Blue

W: White

N: None (not available when Lamp Layers selected are 2 - 5)

#### [4] LAMP 3 COLOR

(3rd layer from the top)

R: Red

Y: Amber

G: Green

B: Blue

W: White

N: None (not available when Lamp Layers selected are 3 - 5)

#### [5] LAMP 4 COLOR

(4th layer from the top)

R: Red

Y: Amber

G: Green

B: Blue

W: White

N: None (not available when Lamp Layers selected are 4 - 5)

#### [6] LAMP 5 COLOR

R: Red

Y: Amber

G: Green

B: Blue

W: White

N: None (not available when Lamp Layers selected are 5)

\* Select "None" option for the layers other than the selected.

#### MOUNTING

D: Direct mounting

#### DESIGN TYPE

1: Type 1

(refer to outline dimensions)

#### [7] POWER INPUT

**AC Power**

M2: 100 - 240 V AC (Operational voltage range 85 - 264 V, 47 - 66 Hz)

**DC Power**

R: 24 V DC

(Operational voltage range 24 V ±10 %, ripple 10 %p-p max.)



**幸託有限公司**  
XIN TOP CORPORATION

TEL : (02)2598-1199

FAX : (02)2596-2331

E-mail : info@xintop.com

Website : www.xintop.com

## RELATED PRODUCTS

- LAN cable (model: ITCA)
- Mounting Pole (model: ITPL)
- PC configurator software (model: ITCFG)

Functions are configurable using the PC Configurator Software.

Downloadable at M-System's web site.

Access to 192.168.0.1, the factory default setting, to set the device first time.

## GENERAL SPECIFICATIONS

**Degree of protection:** IP 65, vertical mounting only (bottom connectors excluded)

### Connection

**Power:** UL1007 AWG20

**Network:** RJ-45 Modular Jack

**Housing material:** Flame-resistant resin

**Lens:** Flame-resistant resin (transparent)

**Isolation:** Network to power input to FE1 (Functional Earth)

**DIP SW Setting:** Frequency of lamp blinking and buzzing discontinuance, buzzing volume level, output at connection failed and IP address (refer to the instruction manual)

**Lamp:** Red, amber, green, blue and white LEDs on/blinking (approx. 2 Hz, 10 Hz)

**Indicator LEDs:** Power, Run, Link, Link100, COL (5 LEDs) indicate the module's operating conditions. (Refer to the instruction manual)

**Buzzing:** Approx. 3.3 kHz

**Interval:** continuous/intermittent (approx. 2 Hz, 10 Hz)

## COMMUNICATION

**Communication Standard:** IEEE 802.3u

**Transmission:** 10BASE-T, 100BASE-TX

**Baud rate:** 10/100 Mbps (Auto Negotiation function)

**Protocol:** Modbus/TCP

**Data:** RTU (Binary)

**Max. number of socket connections:** 2

**Transmission media:** 10BASE-T (STP, Category 5) 100BASE-TX (STP, Category 5e)

**Max. length of fieldbus segment:** 100 meters

**IP address:** 192.168.0.1 (factory setting);  
Selectable with PC Configurator Software

**Port No.:** 502

**Ethernet indicator LED:** Link, Link100, COL

## INSTALLATION

### Power Consumption

#### •AC:

Approx. 5.5 VA at 100 V with max. load

Approx. 7 VA at 200 V with max. load

Approx. 8 VA at 240 V with max. load

•DC: Approx. 3 W

**Operating temperature:** -10 to +55°C (14 to 131°F)

**Operating humidity:** 30 to 90 %RH (non-condensing)

**Atmosphere:** No corrosive gas

**Mounting:** Direct mounting

**Mounting direction:** Vertical

**Weight:** 700 g (1.5 lb)

## PERFORMANCE

**Insulation resistance:**  $\geq 100 \text{ M}\Omega$  with 500 V DC

**Dielectric strength:** 1500 V AC @ 1 minute  
(network to power to FE1)

## STANDARDS & APPROVALS

Refer to the manuals to comply with the standards.

### CE conformity:

EMC Directive (2004/108/EC)

EN 60947-5-1: 2004/A1: 2009

Low Voltage Directive (2006/95/EC)

EN 60947-5-1: 2004/A1: 2009

24 V DC power

Installation Category III

Pollution Degree 3

100 - 240 V AC power

Installation Category II

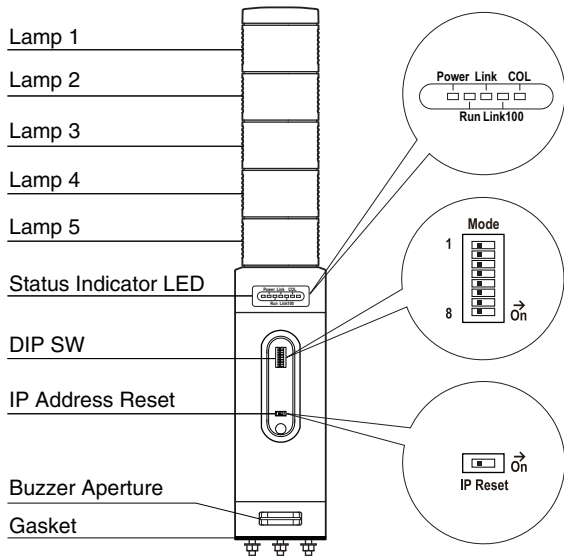
Pollution Degree 2

Input to power: Reinforced insulation (300 V)

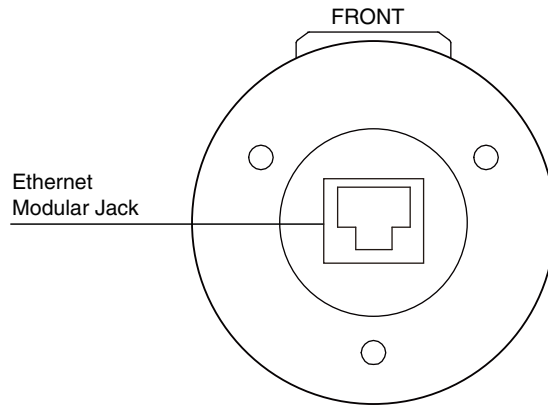


## EXTERNAL VIEW

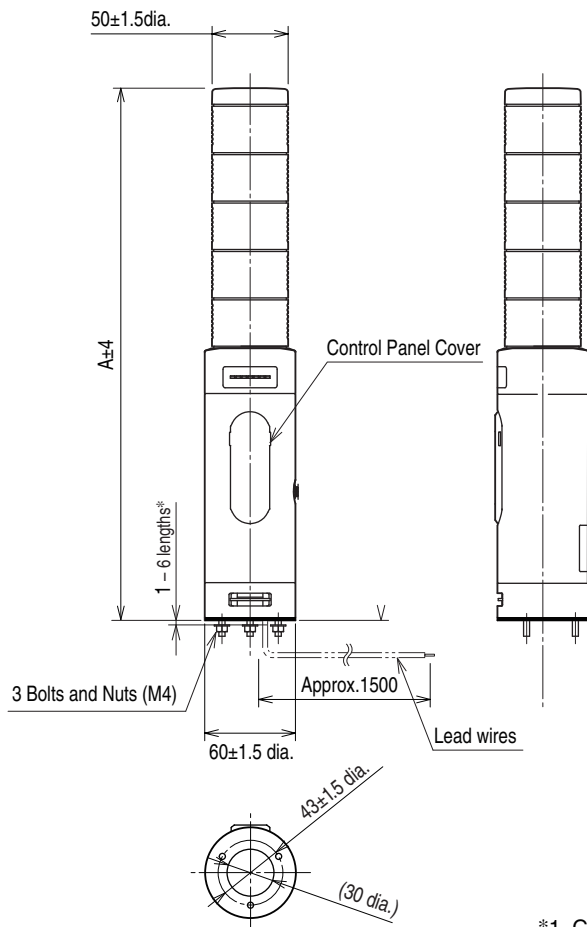
■ FRONT VIEW (with the cover open)



■ BOTTOM VIEW



## DIMENSIONS unit: mm

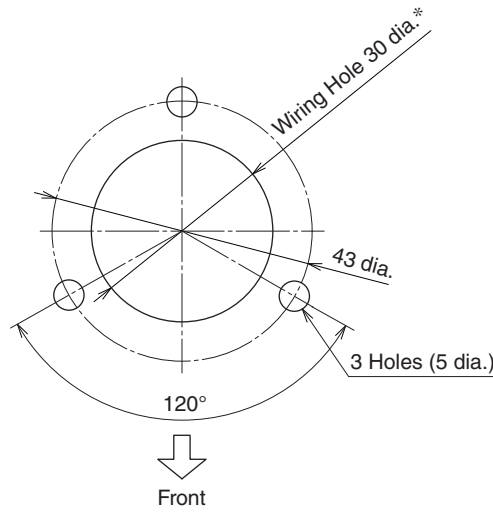


Lamp Layers	A
1	224
2	256
3	288
4	320
5	352

\*1. Consult M-System for other bolt length.

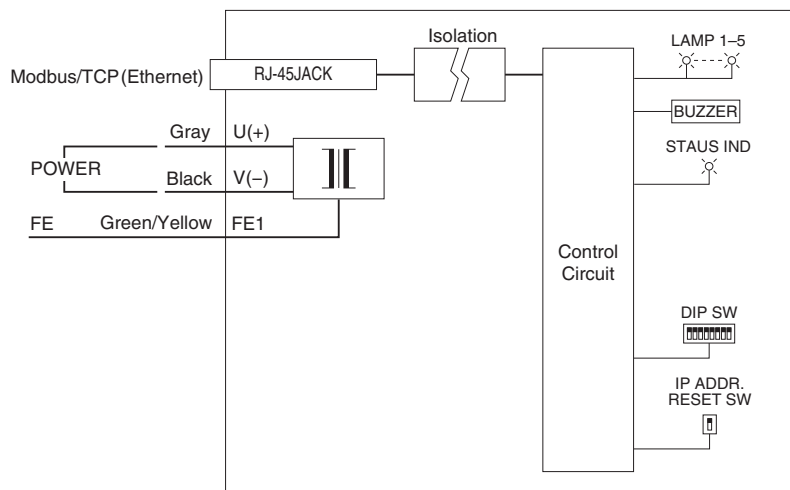


**MOUNTING REQUIREMENTS unit: mm**



\*Protect wires to prevent scratching them at the edge of the compartment.

**SCHEMATIC CIRCUITRY & CONNECTION DIAGRAM**



Specifications are subject to change without notice.

