

## Tower Light Series

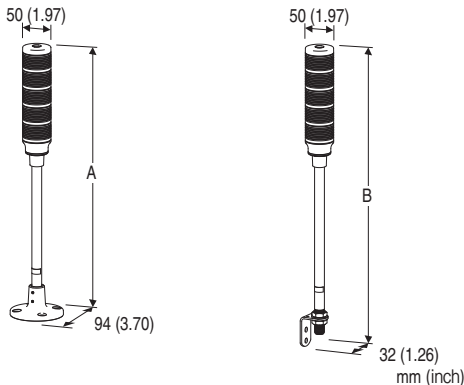
### DISCRETE INPUT TOWER LIGHT

(super-small size, 50 mm dia., 1 - 5 layers, pole mounting)

#### Functions & Features

- Discrete input tower light
- Lighting is controllable with PLC.

■ CIRCULAR BASE MOUNT TYPE    ■ L-SHAPED MOUNT TYPE



Lamp Layers	A	B
1	362.5 (14.27)	395.5 (15.57)
2	394.5 (15.53)	427.5 (16.83)
3	426.5 (16.79)	459.5 (18.09)
4	458.5 (18.05)	491.5 (19.35)
5	490.5 (19.31)	550.5 (21.67)



### MODEL: IT50SA3-[1][2][3][4][5][6][7]-AR

#### ORDERING INFORMATION

- Code number: IT50SA3-[1][2][3][4][5][6][7]-AR
- Specify a code from below for each [1] through [7].
- (e.g. IT50SA3-5RYGBWC-AR)

#### [1] LAMP LAYERS

- 1: 1 layer
- 2: 2 layers
- 3: 3 layers
- 4: 4 layers
- 5: 5 layers

#### [2] LAMP 1 COLOR

(1st layer from the top)

- R: Red
- Y: Amber
- G: Green
- B: Blue

W: White

#### [3] LAMP 2 COLOR

(2nd layer from the top)

- R: Red
- Y: Amber
- G: Green
- B: Blue
- W: White
- N: None (not available when Lamp Layers selected are 2 - 5)

#### [4] LAMP 3 COLOR

(3rd layer from the top)

- R: Red
- Y: Amber
- G: Green
- B: Blue
- W: White
- N: None (not available when Lamp Layers selected are 3 - 5)

#### [5] LAMP 4 COLOR

(4th layer from the top)

- R: Red
- Y: Amber
- G: Green
- B: Blue
- W: White
- N: None (not available when Lamp Layers selected are 4 - 5)

#### [6] LAMP 5 COLOR

(5th layer from the top.)

- R: Red
- Y: Amber
- G: Green
- B: Blue
- W: White
- N: None (not available when Lamp Layers selected are 5)
- \* The selection of the same color for more than one layer is not available.
- \* Select "None" option for the layers other than the selected.

#### [7] MOUNTING

- C: Circular base mount
- L: L-shaped mount

#### POWER INPUT

Universal

- AR: 24 V AC (Operational voltage range 24 V  $\pm$ 10 %, 47 - 66 Hz)
- 24 V DC (Operational voltage range 24 V  $\pm$ 10 %, ripple 10 %p-p max.)



幸託有限公司  
XIN TOP CORPORATION

TEL : (02)2598-1199  
FAX : (02)2596-2331

E-mail : info@xintop.com  
Website : www.xintop.com

## GENERAL SPECIFICATIONS

### Degree of protection:

- Circular base mount: IP65
- L-shaped mount: IP13

(Vertical mounting only, bottom excluded)

**Connection:** UL1007 AWG22

**Housing material:** Flame-resistant resin

**Lens:** Flame-resistant resin (transparent)

**Lamp:** Red, amber, green, blue and white LEDs

## INPUT SPECIFICATIONS

**Discrete Input:** Dry contact, open collector PNP or NPN

### Rated input voltage:

24 V AC (Operational voltage range 24 V  $\pm$ 10 %, 47 - 66 Hz)

24 V DC (Operational voltage range 24 V  $\pm$ 10 %, ripple 10 %p-p max.)

Input current:  $\leq$  14 mA/point (@24 V DC)

Input resistance: Approx. 1000  $\Omega$

## INSTALLATION

### Power consumption

•AC:  $\leq$  2.4 VA 24 V AC

•DC:  $\leq$  2.2 W 24 V DC

**Operating temperature:** -10 to +55°C (14 to 131°F)

**Operating humidity:** 30 to 90 %RH (non-condensing)

**Atmosphere:** No corrosive gas

**Mounting:** Pole mounting (in vertical direction only)

### Weight

Circular base mount: 700 g (1.54 lb)

L-shaped mount: 650 g (1.43 lb)

## STANDARDS & APPROVALS

### CE conformity:

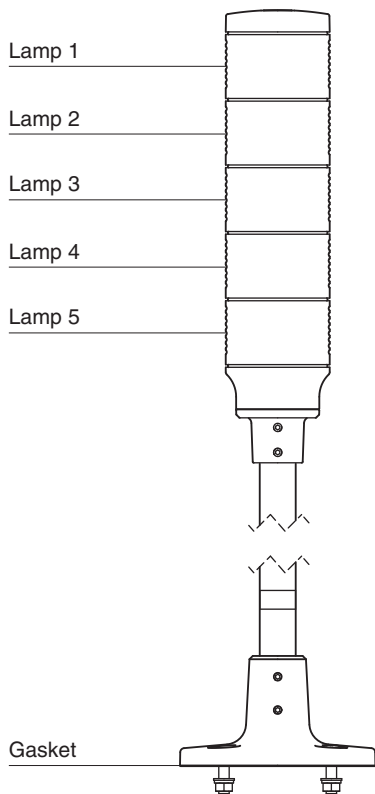
EMC Directive (2004/108/EC)

EN 60947-5-1: 2004/A1: 2009

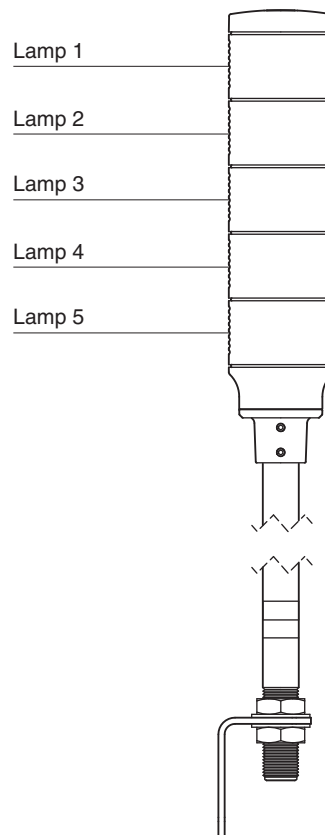


**EXTERNAL VIEW**

■ CIRCULAR BASE MOUNT TYPE

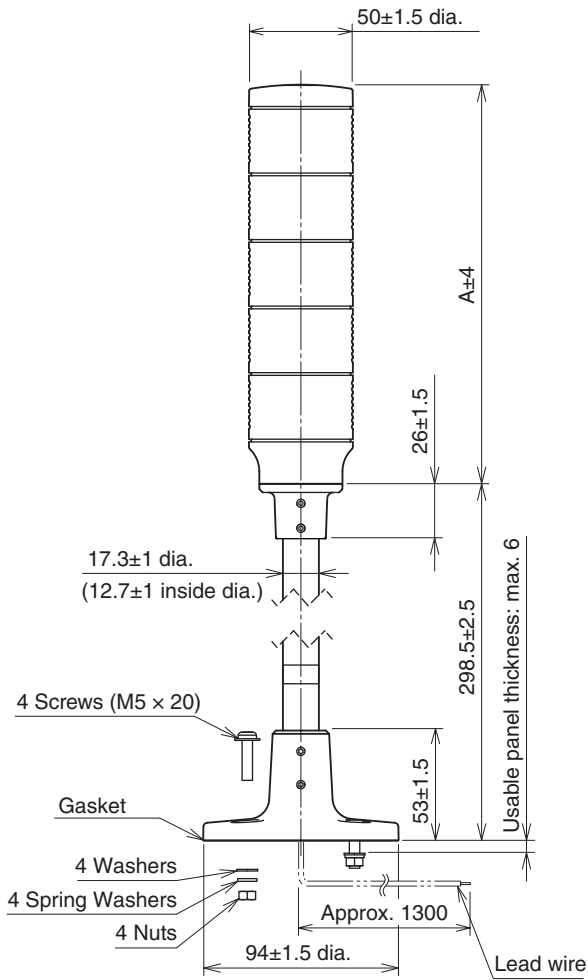


■ L-SHAPED MOUNT TYPE



**DIMENSIONS unit: mm**

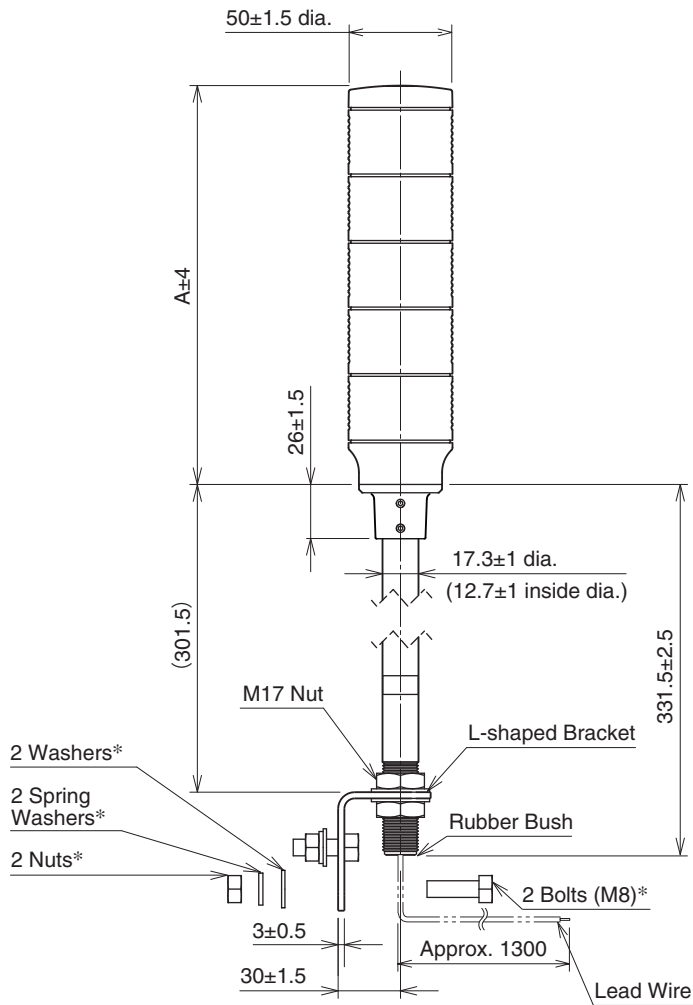
■ CIRCULAR BASE MOUNT TYPE



Lamp Layers	A
1	64
2	96
3	128
4	160
5	192



## ■ L-SHAPED MOUNT TYPE



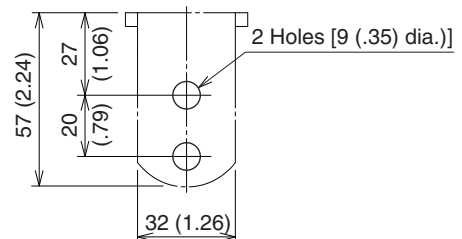
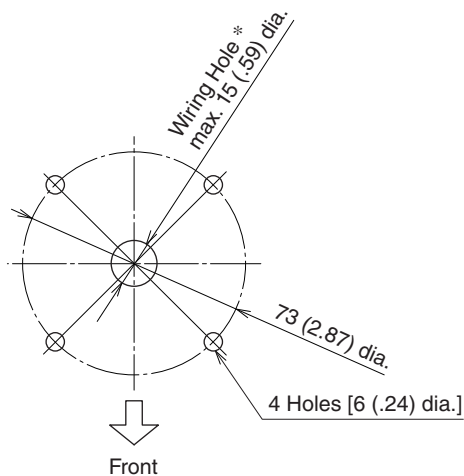
Lamp Layers	A
1	64
2	96
3	128
4	160
5	192

\* Not included with product package.

## MOUNTING REQUIREMENTS unit: mm

### ■ CIRCULAR BASE MOUNT TYPE

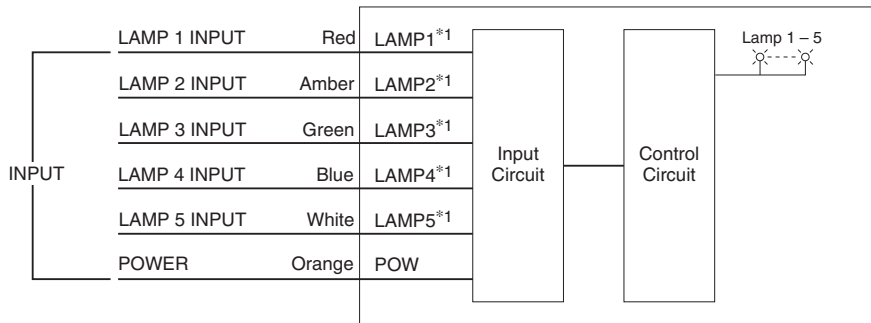
### ■ L-SHAPED MOUNT TYPE



\* Protect wires to prevent scratching them on edges.  
Determine the hole diameter according to the size of the wires and connectors.



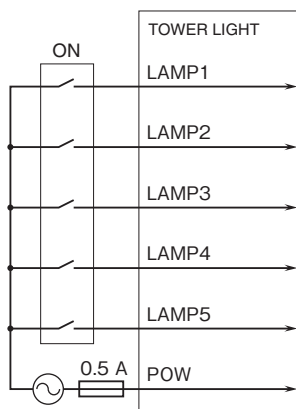
## SCHEMATIC CIRCUITRY & CONNECTION DIAGRAM



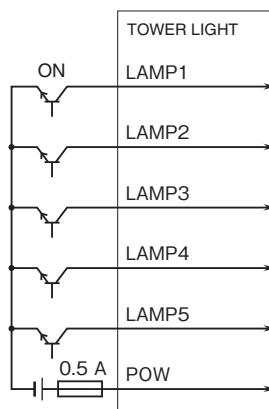
\*1. Example of 5 layers in order: red, amber, green, blue and white.  
Lamp and wire colors are the same.

### ■ WIRING TO INPUT SIGNAL

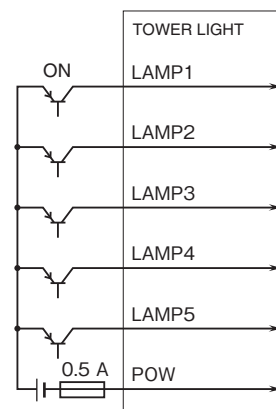
• Contact input e.g.



• NPN input e.g.



• PNP input e.g.



Note 1: NPN input and PNP input are available only for 24 V DC.



Specifications are subject to change without notice.