

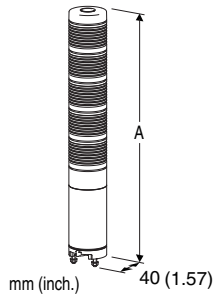
Tower Light Series

DISCRETE INPUT TOWER LIGHT

(super-small size, 40 mm dia., 1 - 5 layers)

Functions & Features

- Discrete input tower light
- Lighting, blinking and buzzing are controllable with PLC.



Lamp Layers	A
1	140 (5.51)
2	172 (6.77)
3	204 (8.03)
4	236 (9.29)
5	268 (10.55)

MODEL: IT40SA2-[1][2][3][4][5][6]2-AR

ORDERING INFORMATION

- Code number: IT40SA2-[1][2][3][4][5][6]2-AR
- Specify a code from below for each [1] through [6].
(e.g. IT40SA2-5RYGBW2-AR)

[1] LAMP LAYERS

- 1: 1 layer
- 2: 2 layers
- 3: 3 layers
- 4: 4 layers
- 5: 5 layers

[2] LAMP 1 COLOR

(1st layer from the top)

- R: Red
- Y: Amber
- G: Green
- B: Blue
- W: White

[3] LAMP 2 COLOR

(2nd layer from the top)

- R: Red
- Y: Amber

G: Green

B: Blue

W: White

N: None (not available when Lamp Layers selected are 2 - 5)

[4] LAMP 3 COLOR

(3rd layer from the top)

R: Red

Y: Amber

G: Green

B: Blue

W: White

N: None (not available when Lamp Layers selected are 3 - 5)

[5] LAMP 4 COLOR

(4th layer from the top)

R: Red

Y: Amber

G: Green

B: Blue

W: White

N: None (not available when Lamp Layers selected are 4 - 5)

[6] LAMP 5 COLOR

(5th layer from the top.)

R: Red

Y: Amber

G: Green

B: Blue

W: White

N: None (not available when Lamp Layers selected are 5)

* The selection of the same color for more than one layer is not available.

* Select "None" option for the layers other than the selected.

BLINKING BUZZING

2: With blinking, buzzing

POWER INPUT

Universal

AR: 24 V AC (Operational voltage range 24 V \pm 10 %, 47 - 66 Hz)
24 V DC (Operational voltage range 24 V \pm 10 %, ripple 10 %p-p max.)

RELATED PRODUCTS

- Mounting Pole (model: ITPL2)



GENERAL SPECIFICATIONS

Degree of protection: IP 65, vertical mounting only (bottom excluded)

Connection: UL1007 AWG22

Housing material: Flame-resistant resin

Lens: Flame-resistant resin (transparent)

Lamp: Red, amber, green, blue and white LEDs on/blinking (approx. 2 Hz)

Buzzing:

Interval: Approx. 3.3 kHz discontinuance (approx. 2 Hz, 10 Hz)

Volume: Buzzing volume control

INPUT SPECIFICATIONS

Discrete Input: Dry contact, open collector PNP or NPN

Rated input voltage:

24 V AC (Operational voltage range 24 V \pm 10 %, 47 - 66 Hz)

24 V DC (Operational voltage range 24 V \pm 10 %, ripple 10 %p-p max.)

Input current:

Lamp: \leq 14 mA/point (@24 V DC)

Buzzer: \leq 80 mA (@24 V DC)

Input resistance:

Lamp: Approx. 1000 Ω

Buzzer: Approx. 340 Ω

INSTALLATION

Power consumption

•AC: \leq 4.5 VA 24 V AC

•DC: \leq 3.5 W 24 V DC

Operating temperature: -10 to +55°C (14 to 131°F)

Operating humidity: 30 to 90 %RH (non-condensing)

Atmosphere: No corrosive gas

Mounting: Direct mounting

Mounting direction: Vertical

Weight: 350 g (0.77 lb)

STANDARDS & APPROVALS

CE conformity:

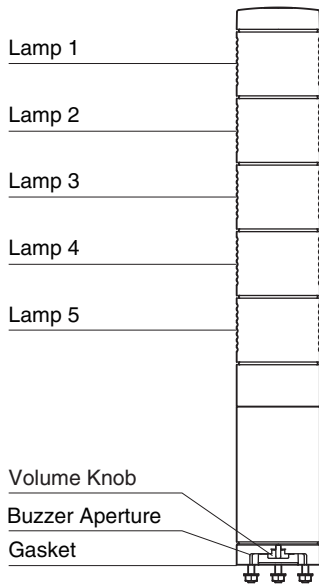
EMC Directive (2004/108/EC)

EN 60947-5-1: 2004/A1: 2009

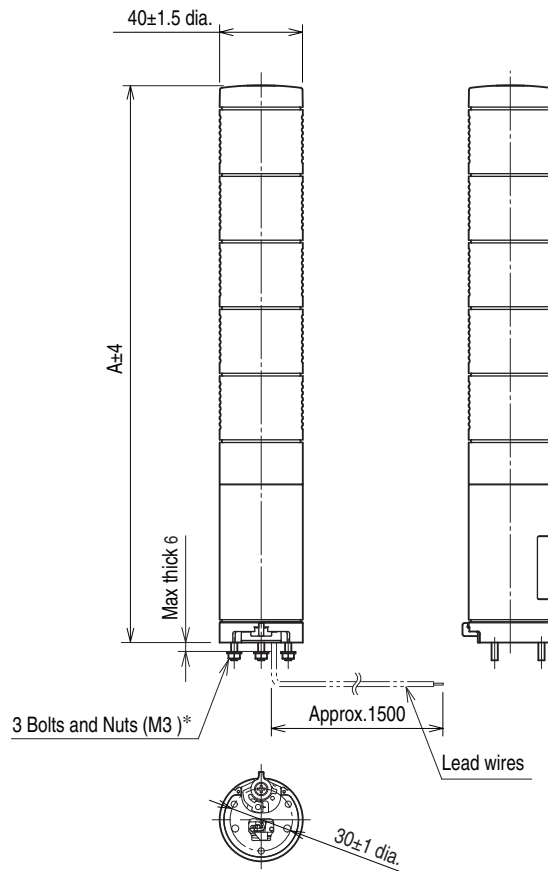


EXTERNAL VIEW

FRONT VIEW



DIMENSIONS unit: mm

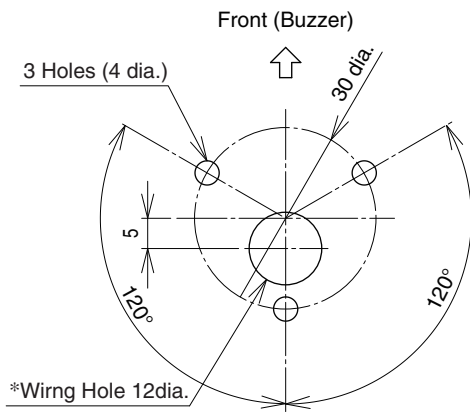


Lamp Layers	A
1	140
2	172
3	204
4	236
5	268

* Consult M-System for other bolt length.



MOUNTING REQUIREMENTS unit: mm

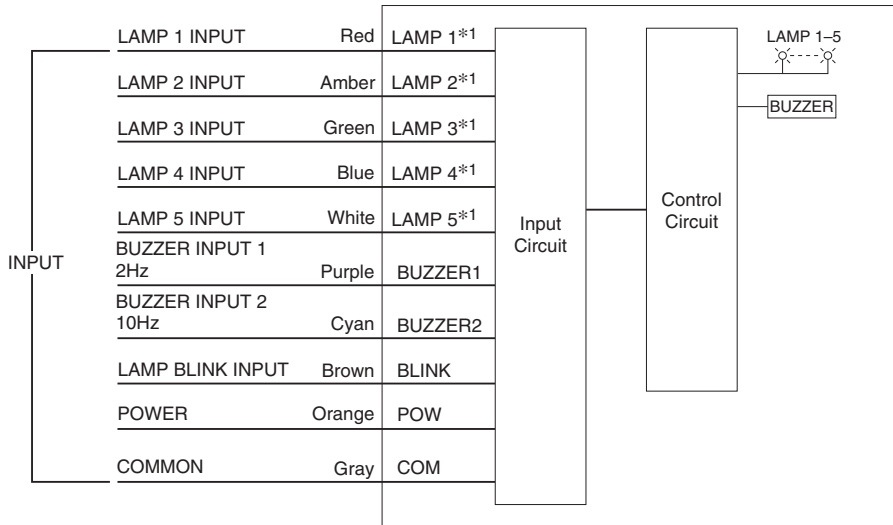


*Wirng Hole 12dia.

*Protect wires to prevent scratching them at the edge of the compartment.



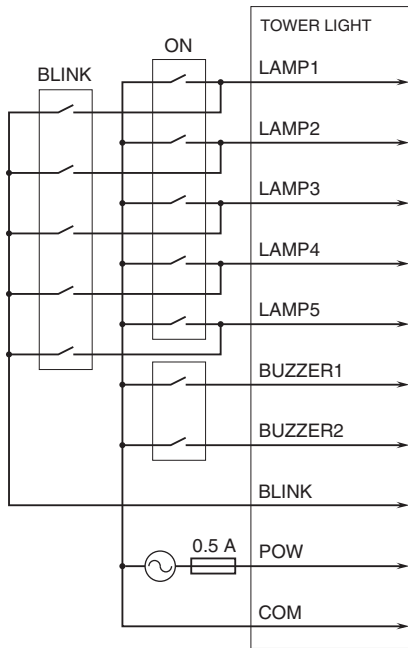
SCHEMATIC CIRCUITRY & CONNECTION DIAGRAM



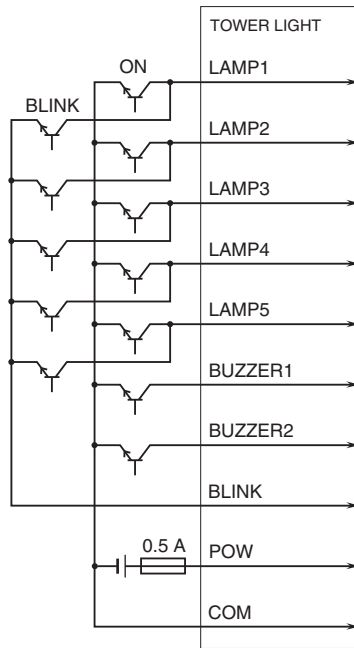
*1. Example of 5 layers in order: red, amber, green, blue and white.
Lamp and wire color are the same.

■ WIRING TO INPUT SIGNAL

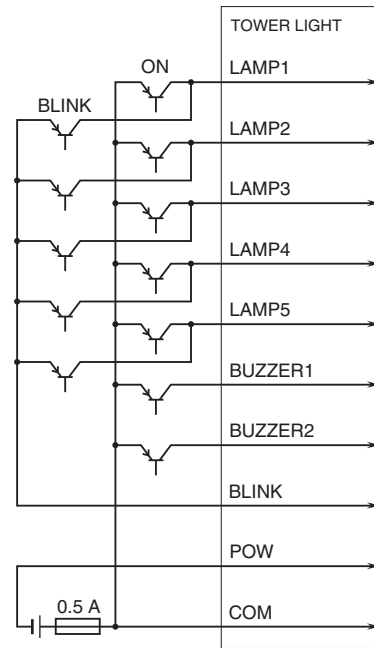
• Contact input e.g.



• NPN input e.g.



• PNP input e.g.



Note 1: If "On" and "Blink" are set simultaneously for a single lamp, "Blink" is disabled.
Note 2: If "On" is set for Buzzer 1 and Buzzer 2 simultaneously, Buzzer 2 is disabled.
Note 3: NPN input and PNP input are available only for 24 V DC.



Specifications are subject to change without notice.