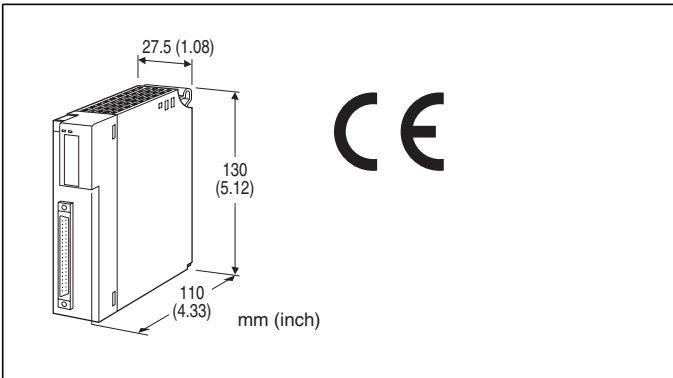


## Remote I/O R3 Series

### DC VOLTAGE INPUT MODULE

(8 points, non-isolated)



### MODEL: R3Y-SV8N[1][2]

#### ORDERING INFORMATION

- Code number: R3Y-SV8N[1][2]  
Specify a code from below for each [1] and [2].  
(e.g. R3Y-SV8NW/CE/Q)
- Specify the specification for option code /Q  
(e.g. /SET)

#### NO. OF CHANNELS

8: 8

#### ISOLATION

N: Non-isolated between inputs

#### [1] COMMUNICATION MODE

S: Single  
W: Dual

#### [2] OPTIONS (multiple selections)

##### Standards & Approvals

blank: Without CE

/CE: CE marking

##### Other Options

blank: none

/Q: Option other than the above (specify the specification)

#### SPECIFICATIONS OF OPTION: Q

##### EX-FACTORY SETTING

/SET: Preset according to the Ordering Information Sheet  
(No. ESU-8403)

#### CAUTION

##### ■UNUSED INPUT CHANNELS

Unused channels left open with certain range settings are equal to the input lower than -15 %, which sets a data abnormality at the PLC or the host device.

In order to avoid this, use the PC Configurator Software (model: R3CON) and specify unused channels.  
Refer to the PC Configurator users manual.

#### GENERAL SPECIFICATIONS

##### Connection

**Internal bus:** Via the Installation Base (model: R3-BSx)

**Input:** 40-pin connector (Fujitsu FCN-365P040-AU)

**Power supply:** Via the Installation Base (model: R3-BSx)

**Isolation:** Input to internal power

**Input range:** Selectable with the side DIP SW (per 4 channels)

**Conversion rate:** Selectable with the side DIP SW

**RUN indicator:** Bi-color (red/green) LED;  
Red when the bus A operates normally;  
Green when the bus B operates normally;  
Amber when both buses operate normally.

**ERR indicator:** Bi-color (red/green) LED;  
Red with the input circuit abnormality (AD converter response failure);  
Green in normal operating conditions.

#### INPUT SPECIFICATIONS

**Input:** -10 - +10 V, -5 - +5 V, 0 - 10 V, 0 - 5 V, 1 - 5 V DC

**Input resistance:** 1 MΩ min.

#### INSTALLATION

**Operating temperature:** -10 to +55°C (14 to 131°F)

**Operating humidity:** 30 to 90 %RH (non-condensing)

**Atmosphere:** No corrosive gas or heavy dust

**Mounting:** Installation Base (model: R3-BSx)

**Weight:** 200 g (0.44 lb)

#### PERFORMANCE

**Conversion accuracy:** Refer to the table at the end of this section.

**Conversion rate:** 100 / 50 / 20 / 10 msec. selectable

**Data range:** 0 - 10000 of the input range

**Data allocation:** 8

**Current consumption:** 100 mA

**Temp. coefficient:** ±0.015 % /°C (±0.008 % /°F)  
(±0.03 % /°C [±0.02 % /°F] with 0 - 5 V or 1 - 5 V range)

**Insulation resistance:** ≥ 100 MΩ with 500 V DC

**Dielectric strength:** 1500 V AC @ 1 minute  
(input to internal power)



2000 V AC @ 1 minute (power input to FG; isolated on the power supply module)

### Conversion accuracy

RANGE \ RATE	100 msec.	50 msec.	20 msec.	10 msec.
-10 - +10V	±0.1%	±0.1%	±0.1%	±0.1%
-5 - +5V	±0.1%	±0.1%	±0.1%	±0.1%
0 - 10V	±0.1%	±0.1%	±0.1%	±0.1%
0 - 5V	±0.2%	±0.2%	±0.2%	±0.2%
1 - 5V	±0.2%	±0.2%	±0.2%	±0.2%

## STANDARDS & APPROVALS

CE conformity:

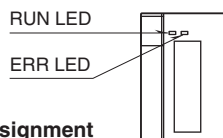
EMC Directive (2004/108/EC)

EMI EN 61000-6-4: 2007

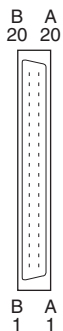
EMS EN 61000-6-2: 2005

## EXTERNAL VIEW

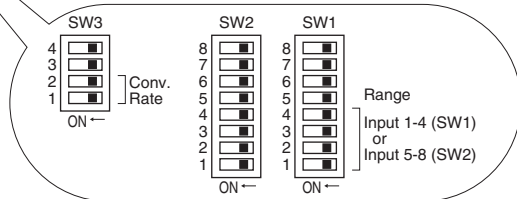
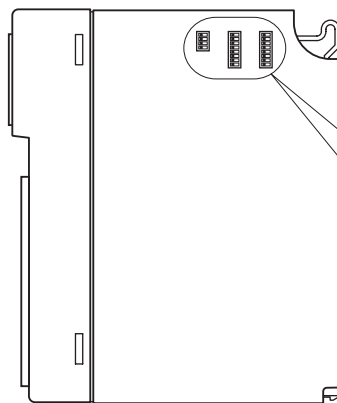
### FRONT VIEW



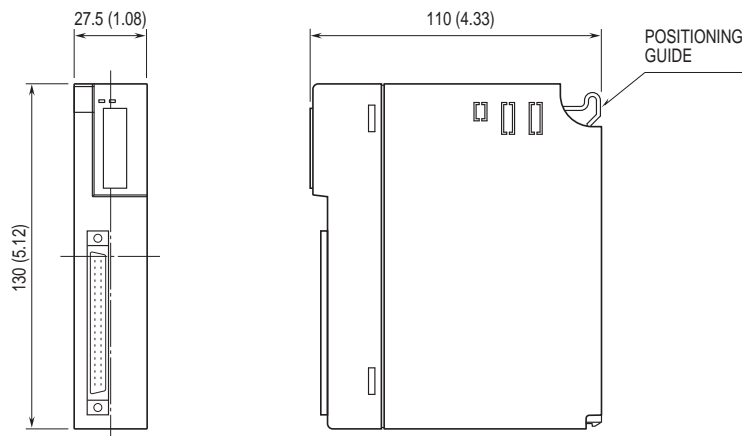
### Pin Assignment



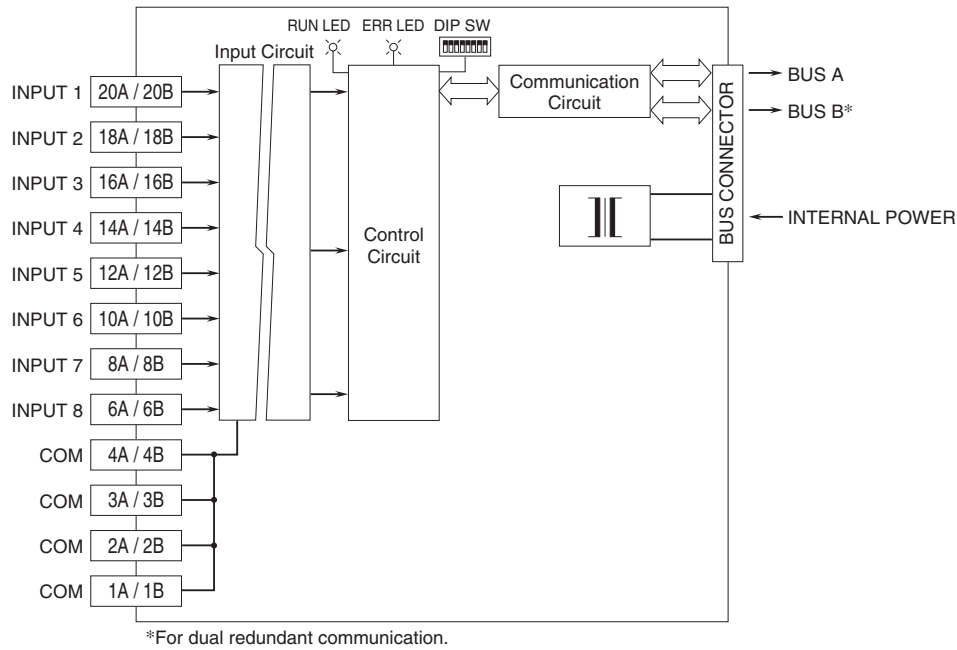
### SIDE VIEW



## DIMENSIONS unit: mm (inch)



**SCHEMATIC CIRCUITRY & CONNECTION DIAGRAM**



**INPUT CONNECTOR (40-pin)**

PIN NO.	ASSIGNMENT	PIN NO.	ASSIGNMENT
1A	COM	1B	COM
2A	COM	2B	COM
3A	COM	3B	COM
4A	COM	4B	COM
5A	NC	5B	NC
6A	IN8	6B	IN8
7A	NC	7B	NC
8A	IN7	8B	IN7
9A	NC	9B	NC
10A	IN6	10B	IN6
11A	NC	11B	NC
12A	IN5	12B	IN5
13A	NC	13B	NC
14A	IN4	14B	IN4
15A	NC	15B	NC
16A	IN3	16B	IN3
17A	NC	17B	NC
18A	IN2	18B	IN2
19A	NC	19B	NC
20A	IN1	20B	NC1



Specifications are subject to change without notice.

