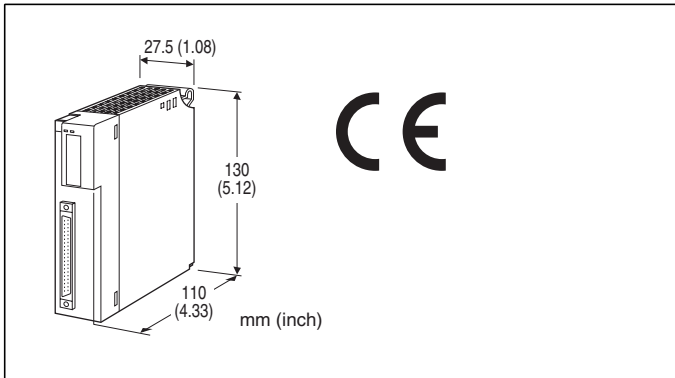


Remote I/O R3 Series

DC VOLTAGE INPUT MODULE

(8 points, isolated)



MODEL: R3Y-SV8[1][2]

ORDERING INFORMATION

- Code number: R3Y-SV8[1][2]
Specify a code from below for each [1] and [2].
(e.g. R3Y-SV8W/CE/Q)
- Specify the specification for option code /Q
(e.g. /SET)

NO. OF CHANNELS

8: 8

[1] COMMUNICATION MODE

S: Single

W: Dual

[2] OPTIONS (multiple selections)

Standards & Approvals

blank: Without CE

/CE: CE marking

Other Options

blank: none

/Q: Option other than the above (specify the specification)

SPECIFICATIONS OF OPTION: Q

EX-FACTORY SETTING

/SET: Preset according to the Ordering Information Sheet
(No. ESU-8367)

CAUTION

■ UNUSED INPUT CHANNELS

Set the unused channels to "Unused" with PC Configurator

software: R3CON. For 1 to 5 V DC, unused channels left open with other settings may be equal to the input lower than -15 %, which sets a data abnormality at the PLC or the host device.

GENERAL SPECIFICATIONS

Connection

Internal bus: Via the Installation Base (model: R3-BSx)

Input: 40-pin connector (Fujitsu FCN-365P040-AU)

Power supply: Via the Installation Base (model: R3-BSx)

Isolation: Input 1 to input 2 to input 3 to input 4 to input 5 to input 6 to input 7 to input 8 to internal bus or internal power

Input range: Selectable with the side DIP SW (per 4 channels)

Conversion rate: Selectable with the side DIP SW

RUN indicator: Bi-color (red/green) LED;

Red when the bus A operates normally;

Green when the bus B operates normally;

Amber when both buses operate normally.

ERR indicator: Bi-color (red/green) LED;

Red with the input circuit abnormality (AD converter response failure);

Green in normal operating conditions.

INPUT SPECIFICATIONS

■ **Narrow Span:** -1 - +1 V, 0 - 1 V DC

Input resistance: 100 kΩ min.

■ **Wide Span:** -10 - +10 V, -5 - +5 V,

0 - 10 V, 0 - 5 V, 1 - 5 V DC

Input resistance: 1 MΩ min.

INSTALLATION

Operating temperature: -10 to +55°C (14 to 131°F)

Operating humidity: 30 to 90 %RH (non-condensing)

Atmosphere: No corrosive gas or heavy dust

Mounting: Installation Base (model: R3-BSx)

Weight: 200 g (0.44 lb)

PERFORMANCE

Conversion accuracy: Refer to the table at the end of this section.

Conversion rate: 160 / 80 / 40 / 20 msec. selectable

Data range: 0 - 10000 of the input range

Data allocation: 8

Current consumption: 100 mA

Temp. coefficient: ±0.015 % /°C (±0.008 % /°F)

(±0.03 % /°C [±0.02 % /°F] with 0 - 5 V or 1 - 5 V range)

Insulation resistance: ≥ 100 MΩ with 500 V DC

Dielectric strength: 500 V AC @ 1 minute (input 1 to input 2 to input 3 to input 4 to input 5 to input 6 to input 7 to input 8)



8 to internal bus or internal power)
 2000 V AC @ 1 minute (power input to FG; isolated on the power supply module)

Conversion accuracy

RANGE \ RATE	160 msec.	80 msec.	40 msec.	20 msec.
All ranges	±0.1%	±0.2%	±0.4%	±0.8%

STANDARDS & APPROVALS

CE conformity:

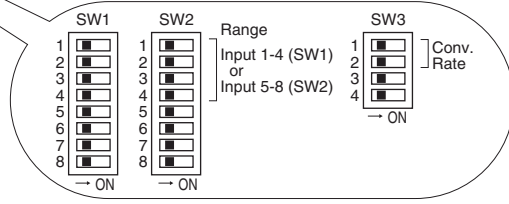
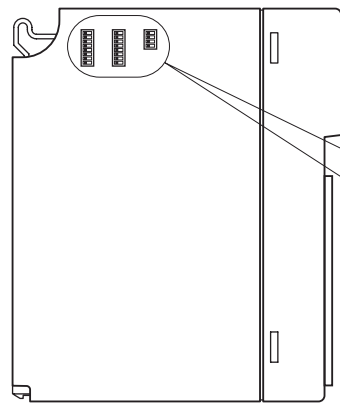
EMC Directive (2004/108/EC)

EMI EN 61000-6-4: 2007

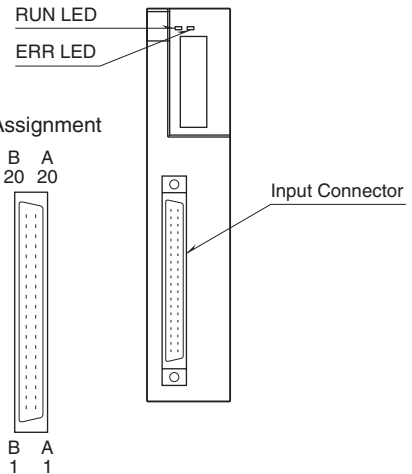
EMS EN 61000-6-2: 2005

EXTERNAL VIEW

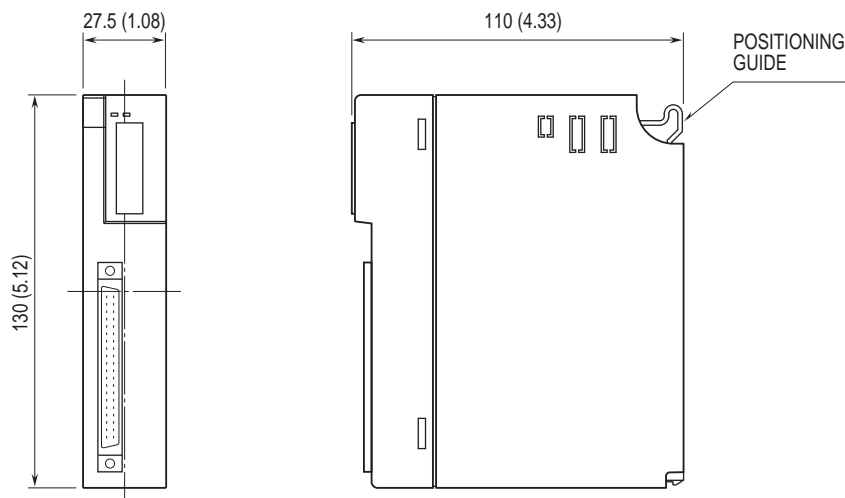
■ SIDE VIEW



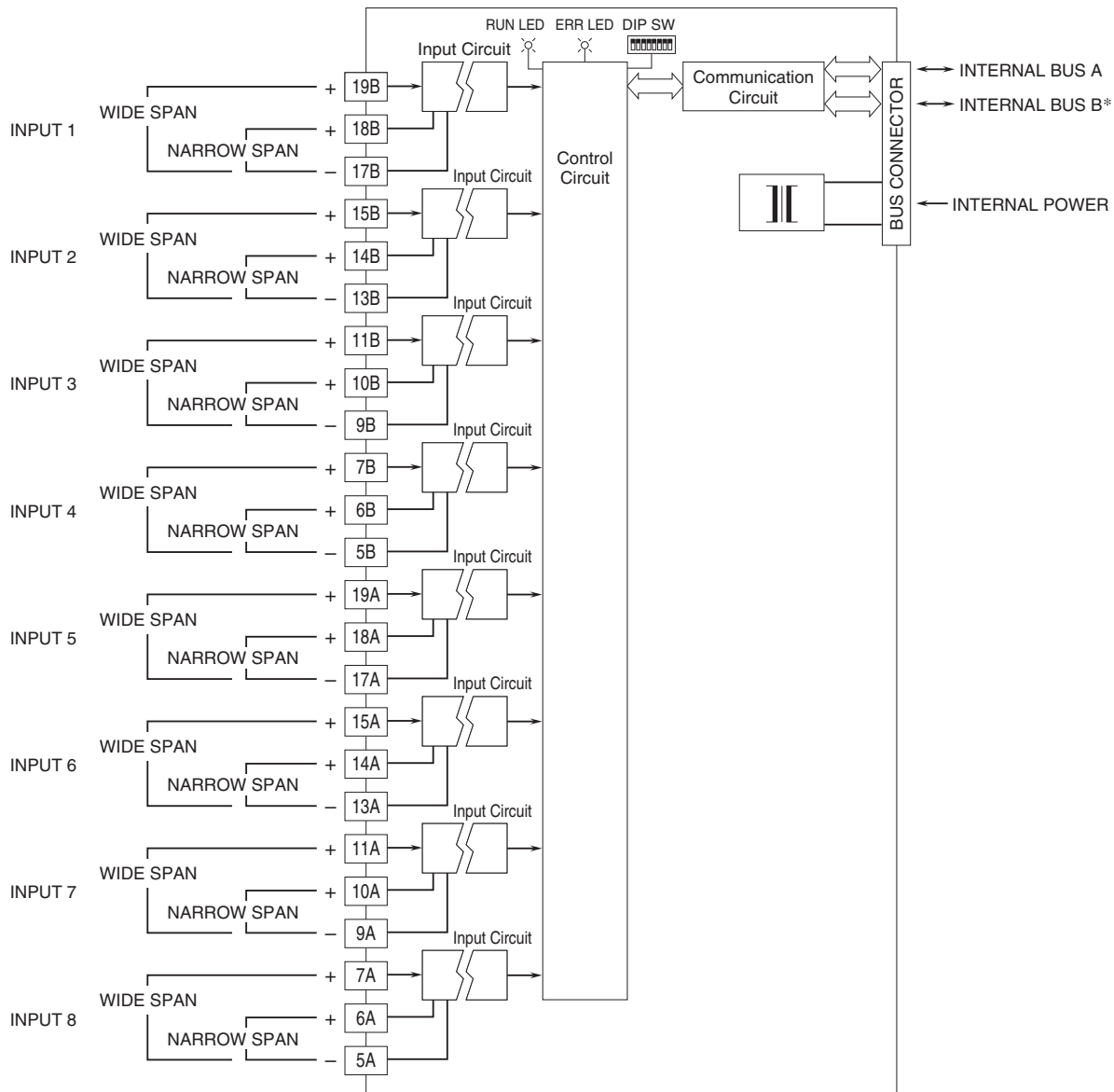
■ FRONT VIEW



DIMENSIONS unit: mm (inch)



SCHEMATIC CIRCUITRY & CONNECTION DIAGRAM



*For dual redundant communication.

NOTE: Connect either wide or narrow span terminals for each channel.



INPUT CONNECTOR (40-pin)

PIN NO.	ASSIGNMENT	PIN NO.	ASSIGNMENT
1A	NC	1B	NC
2A	NC	2B	NC
3A	NC	3B	NC
4A	NC	4B	NC
5A	- IN8	5B	- IN4
6A	+ IN8L	6B	+ IN4L
7A	+ IN8H	7B	+ IN4H
8A	NC	8B	NC
9A	- IN7	9B	- IN3
10A	+ IN7L	10B	+ IN3L
11A	+ IN7H	11B	+ IN3H
12A	NC	12B	NC
13A	- IN6	13B	- IN2
14A	+ IN6L	14B	+ IN2L
15A	+ IN6H	15B	+ IN2H
16A	NC	16B	NC
17A	- IN5	17B	- IN1
18A	+ IN5L	18B	+ IN1L
19A	+ IN5H	19B	+ IN1H
20A	NC	20B	NC



Specifications are subject to change without notice.

