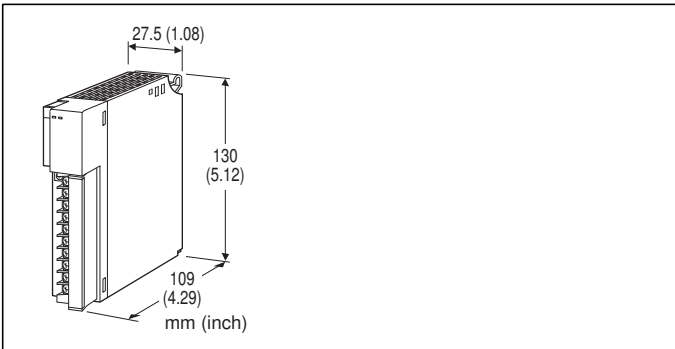


## Remote I/O R3 Series

### DC VOLTAGE INPUT MODULE

(4 points, isolated, wide span voltage)



### MODEL: R3-SV4B[1][2]

#### ORDERING INFORMATION

- Code number: R3-SV4B[1][2]
- Specify a code from below for each [1] and [2]. (e.g. R3-SV4BW/Q)
- Specify the specification for option code /Q (e.g. /C01/SET)

#### NO. OF CHANNELS

4: 4

#### [1] COMMUNICATION MODE

S: Single

W: Dual

#### [2] OPTIONS

blank: none

/Q: With options (specify the specification)

#### SPECIFICATIONS OF OPTION: Q (multiple selections)

**COATING (For the detail, refer to M-System's web site.)**

/C01: Silicone coating

/C02: Polyurethane coating

/C03: Rubber coating

**EX-FACTORY SETTING**

/SET: Preset according to the Ordering Information Sheet (No. ESU-8415)

#### CAUTION

##### ■UNUSED INPUT CHANNELS

Set the unused channels to -30 - +30 V range. Otherwise, set them as "Unused" with PC Configurator software:

R3CON. Unused channels left open with other settings may be equal to the input lower than -15 %, which sets a data abnormality at the PLC or the host device.

#### GENERAL SPECIFICATIONS

##### Connection

**Internal bus:** Via the Installation Base (model: R3-BSx)

**Input:** M3 separable screw terminal (torque 0.5 N·m)

**Internal power:** Via the Installation Base (model: R3-BSx)

**Screw terminal:** Nickel-plated steel

**Isolation:** Input 1 to input 2 to input 3 to input 4 to internal bus or internal power

**Input range:** Selectable with the side DIP SW

**Conversion rate:** Selectable with the side DIP SW

**RUN indicator:** Bi-color (red/green) LED;

Red when the bus A operates normally;

Green when the bus B operates normally;

Amber when both buses operate normally.

**ERR indicator:** Bi-color (red/green) LED;

Red with the input circuit abnormality (AD converter response failure);

Green in normal operating conditions.

#### INPUT SPECIFICATIONS

■Input: -30 - +30 V, -15 - +15 V, 0 - 30 V, 0 - 15 V DC

Input resistance: 1 MΩ min.

#### INSTALLATION

**Operating temperature:** -10 to +55°C (14 to 131°F)

**Operating humidity:** 30 to 90 %RH (non-condensing)

**Atmosphere:** No corrosive gas or heavy dust

**Mounting:** Installation Base (model: R3-BSx)

**Weight:** 200 g (0.44 lb)

#### PERFORMANCE

**Conversion accuracy:** Refer to the table at the end of this section.

**Conversion rate:** 80 / 40 / 20 / 10 msec. selectable

**Data range:** 0 - 10000 of the input range

**Data allocation:** 4

**Current consumption:** 60 mA

**Temp. coefficient:** ±0.015 %/°C (±0.008 %/°F)

**Insulation resistance:** ≥ 100 MΩ with 500 V DC

**Dielectric strength:** 1500 V AC @ 1 minute (input 1 to input 2 to input 3 to input 4 to internal bus or internal power)

2000 V AC @ 1 minute (power input to FG; isolated on the power supply module)



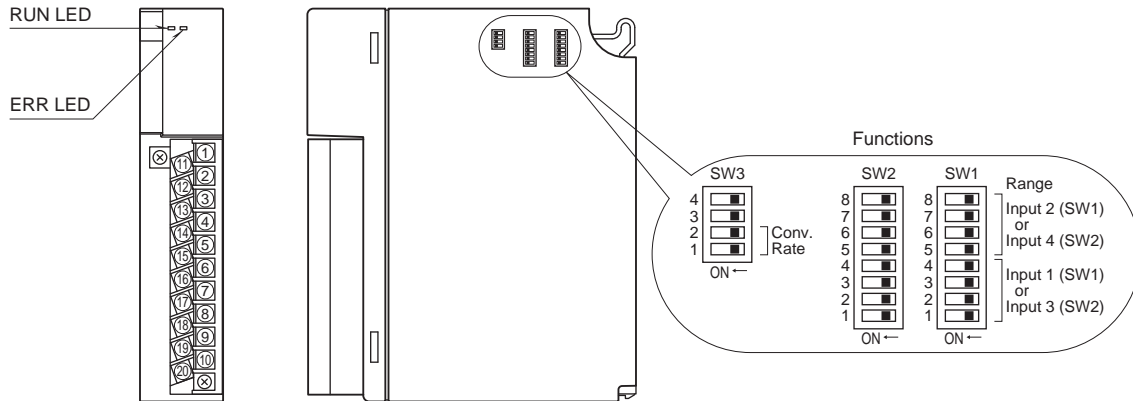
## Conversion accuracy

RANGE	RATE	80 msec.	40 msec.	20 msec.	10 msec.
All Ranges		±0.05%	±0.1%	±0.2%	±0.4%

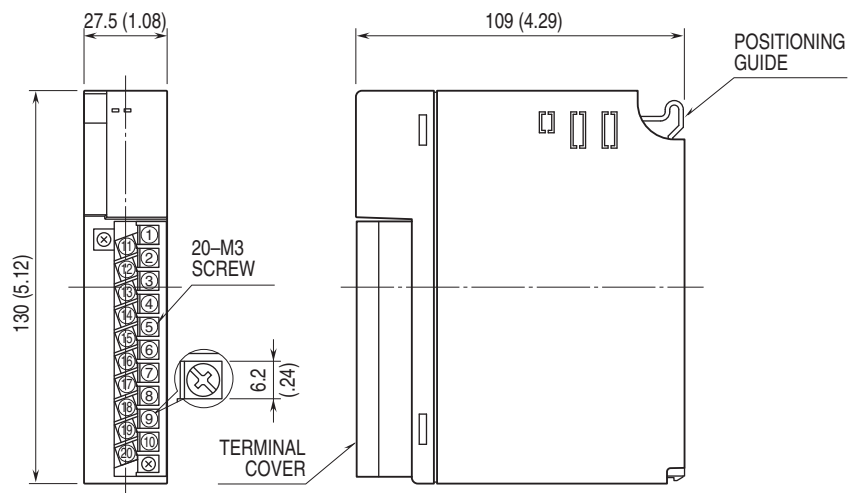
## EXTERNAL VIEW

■ FRONT VIEW

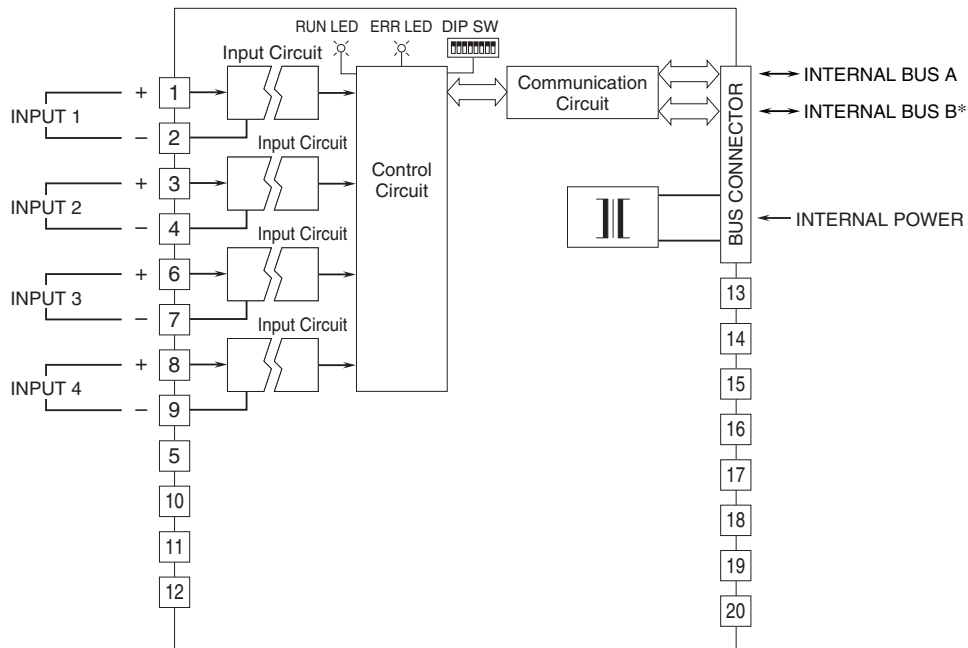
■ SIDE VIEW



## EXTERNAL DIMENSIONS & TERMINAL ASSIGNMENTS unit: mm (inch)



## SCHEMATIC CIRCUITRY & CONNECTION DIAGRAM



\*For dual redundant communication.  
DO NOT connect external wiring to the unused terminals.



Specifications are subject to change without notice.