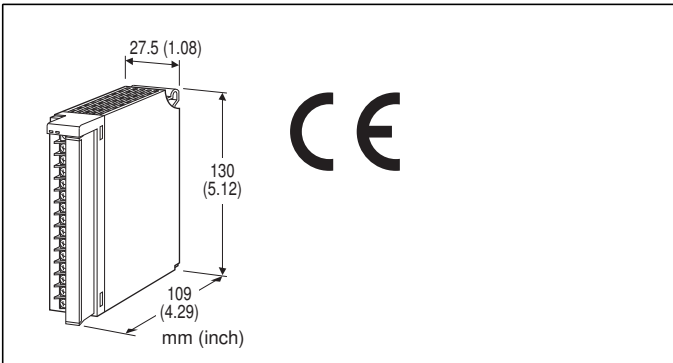


Remote I/O R3 Series

DC CURRENT INPUT MODULE

(8 points, isolated)



MODEL: R3-SS8[1][2]

ORDERING INFORMATION

- Code number: R3-SS8[1][2]
Specify a code from below for each [1] and [2].
(e.g. R3-SS8W/CE/Q)
- Specify the specification for option code /Q
(e.g. /C01/SET)

NO. OF CHANNELS

8: 8

[1] COMMUNICATION MODE

S: Single
W: Dual

[2] OPTIONS (multiple selections)

Standards & Approvals

blank: Without CE
/CE: CE marking

Other Options

blank: none
/Q: Option other than the above (specify the specification)

SPECIFICATIONS OF OPTION: Q (multiple selections)

COATING (For the detail, refer to M-System's web site.)

/C01: Silicone coating
/C02: Polyurethane coating
/C03: Rubber coating

EX-FACTORY SETTING

/SET: Preset according to the Ordering Information Sheet
(No. ESU-8394)

CAUTION

■ UNUSED INPUT CHANNELS

Set the unused channels to -20 - +20 mA or 0 - 20 mA range. Otherwise, set them as "Unused" with PC Configurator software: R3CON. Unused channels left open with 4 - 20 mA setting are equal to the input lower than -15 %, which sets a data abnormality at the PLC or the host device.

GENERAL SPECIFICATIONS

Connection

Internal bus: Via the Installation Base (model: R3-BSx)
Input: M3 separable screw terminal (torque 0.5 N-m)
Internal power: Via the Installation Base (model: R3-BSx)

Screw terminal: Nickel-plated steel

Isolation: Input 1 to input 2 to input 3 to input 4 to input 5 to input 6 to input 7 to input 8 to internal bus or internal power

Input range: Selectable with the side DIP SW (per 4 channels)

Conversion rate: Selectable with the side DIP SW

RUN indicator: Bi-color (red/green) LED;
Red when the bus A operates normally;
Green when the bus B operates normally;
Amber when both buses operate normally.

ERR indicator: Bi-color (red/green) LED;
Red with the input circuit abnormality (AD converter response failure);
Green in normal operating conditions.

INPUT SPECIFICATIONS

■ **DC Current:** -20 - +20 mA, 0 - 20 mA, 4 - 20 mA DC
Input resistance: 66.5 Ω resistor incorporated

INSTALLATION

Operating temperature: -10 to +55°C (14 to 131°F)
Operating humidity: 30 to 90 %RH (non-condensing)
Atmosphere: No corrosive gas or heavy dust
Mounting: Installation Base (model: R3-BSx)
Weight: 250 g (0.55 lb)

PERFORMANCE

Conversion accuracy: Refer to the table at the end of this section.
Conversion rate: 160 / 80 / 40 / 20 msec. selectable
Data range: 0 - 10000 of the input range
Data allocation: 8
Current consumption: 100 mA
Temp. coefficient: ±0.03 %/°C (±0.02 %/°F)
Insulation resistance: ≥ 100 MΩ with 500 V DC
Dielectric strength: 1000 V AC @ 1 minute (input 1 to input



2 to input 3 to input 4 to input 5 to input 6 to input 7 to
 input 8 to internal bus or internal power)
 2000 V AC @ 1 minute (power input to FG; isolated on the
 power supply module)

RANGE \ RATE	RATE			
	160 msec.	80 msec.	40 msec.	20 msec.
-20 – +20 mA	±0.05%	±0.1%	±0.2%	±0.4%
0 – 20 mA	±0.1%	±0.2%	±0.4%	±0.8%
4 – 20 mA	±0.1%	±0.2%	±0.4%	±0.8%

STANDARDS & APPROVALS

CE conformity:

EMC Directive (2004/108/EC)

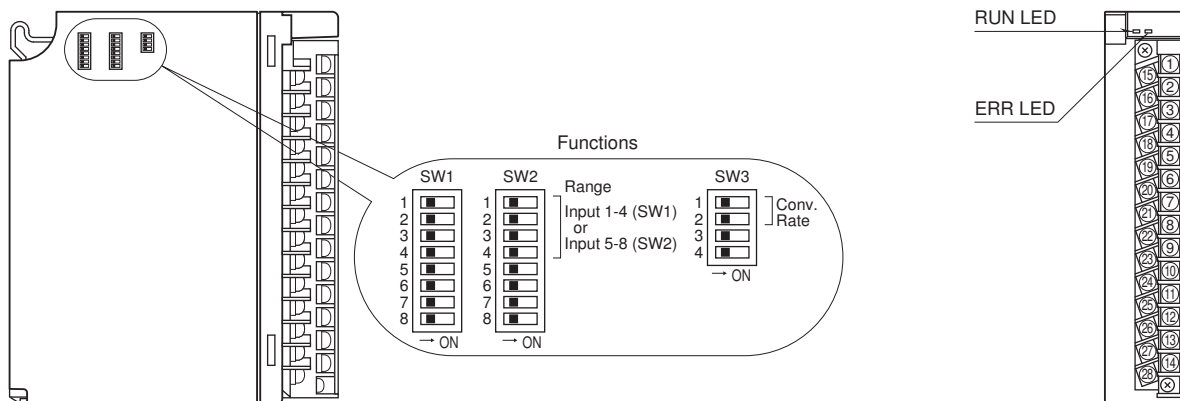
EMI EN 61000-6-4: 2007/A1: 2011

EMS EN 61000-6-2: 2005

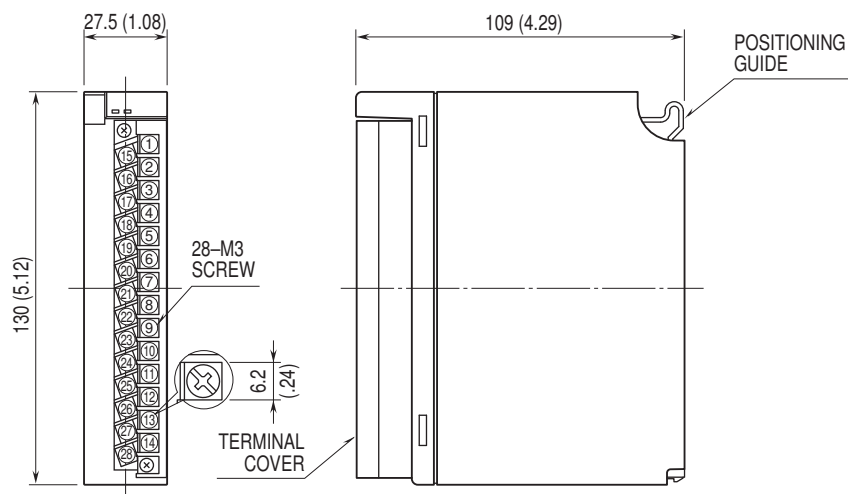
EXTERNAL VIEW

SIDE VIEW

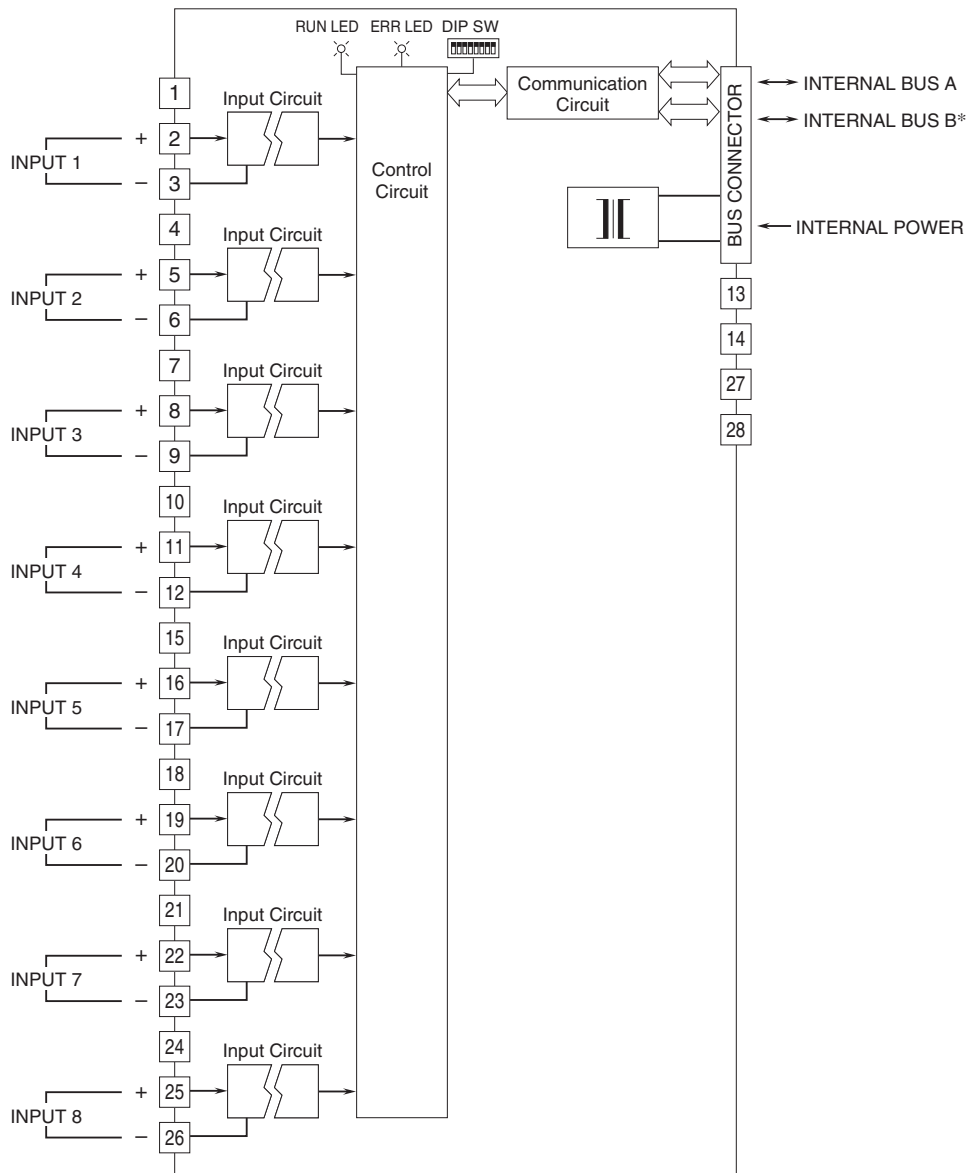
FRONT VIEW



EXTERNAL DIMENSIONS & TERMINAL ASSIGNMENTS unit: mm (inch)



SCHEMATIC CIRCUITRY & CONNECTION DIAGRAM



*For dual redundant communication.



Specifications are subject to change without notice.

