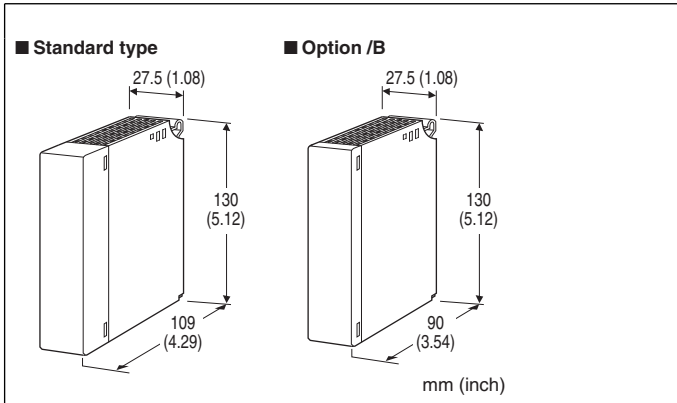


Remote I/O R3 Series

BLANK FILLER MODULE



MODEL: R3-DM[1]

ORDERING INFORMATION

- Code number: R3-DM[1]

Specify a code from below for [1]

(e.g. R3-DM/B)

[1] OPTIONS

HOUSING (refer to the external dimensions)

blank: Standard type

/B: Type B

INSTALLATION

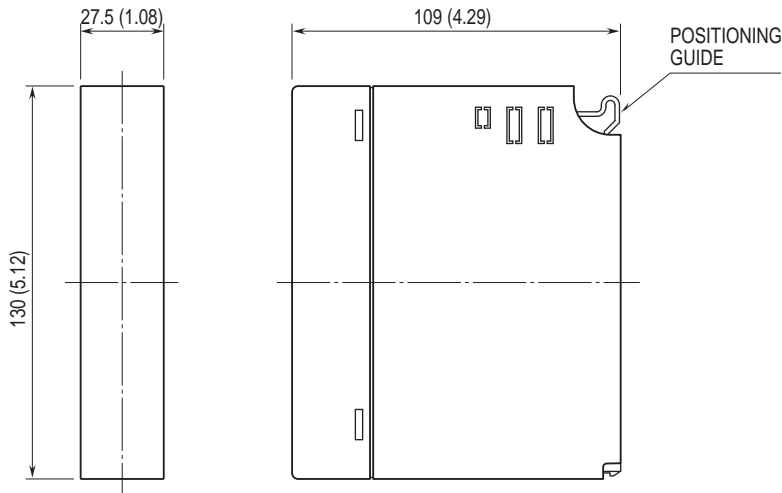
Mounting: Installation Base (model: R3-BSx)

Weight: 150 g (0.33 lbs)

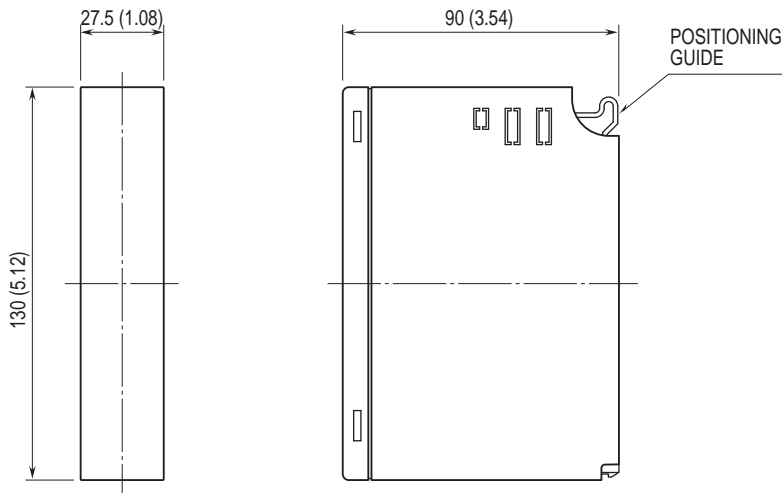


DIMENSIONS unit: mm (inch)

■ STANDARD TYPE



■ OPTION /B



Specifications are subject to change without notice.