

## Lightning Surge Protectors for Electronics Equipment M-RESTER

Mounting: Surface  
Weight: 440 g (0.97 lbs)

### LIGHTNING SURGE PROTECTOR FOR STANDARD SIGNAL LINE USE

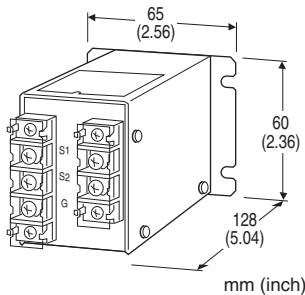
(high discharge current capacity)

#### Functions & Features

- Designed specifically for 4 - 20 mA DC line including both 4-wire and 2-wire transmitters
- Discharge current capacity 10000 A
- Absorbing surges only without affecting instrumentation signal

#### Typical Applications

- High discharge current capacity is beneficial for use in area with frequent lightnings



### PERFORMANCE

#### Discharge voltage (peak voltage)

- Line to line:  $\pm 40$  V min.
- Line to ground:  $\pm 290$  V min.

#### Maximum surge voltage

- Line to line:  $\pm 50$  V max.
- Line to ground:  $\pm 800$  V max.

(The maximum voltage that could pass through this surge protector. Protected equipment must be able to withstand this voltage for very short time period.)

#### Response time: 0.01 $\mu$ sec.

#### Leakage current

- Line to line:  $\leq 5$   $\mu$ A at  $\pm 30$  V DC
- Line to ground:  $\leq 5$   $\mu$ A at  $\pm 140$  V DC

#### Discharge current capacity: 10000 A (8/ 20 $\mu$ sec.)

#### Maximum load current: 0.1 A

#### Internal series resistance: $\leq 0.4$ $\Omega$ (including return)

#### Maximum line voltage: $\pm 30$ V

## MODEL: MMD-24

### ORDERING INFORMATION

- Code number: MMD-24

### OPERATIONAL VOLTAGE

24: 24 V DC

### RELATED PRODUCTS

- Lightning arrester for power supply use (model: MMA)

### GENERAL SPECIFICATIONS

**Construction:** Wall-mounted, front terminals; terminal cover provided

**Connection:** M4 screw terminals (torque 0.8 N·m)

**Screw terminal:** Nickel-plated steel

**Housing material:** Steel plate  $t = 1.6$  (black)

### INSTALLATION

**Operating temperature:** -5 to +55°C (23 to 131°F)

**Operating humidity:** 30 to 90 %RH (non-condensing)



**幸託有限公司**  
XIN TOP CORPORATION

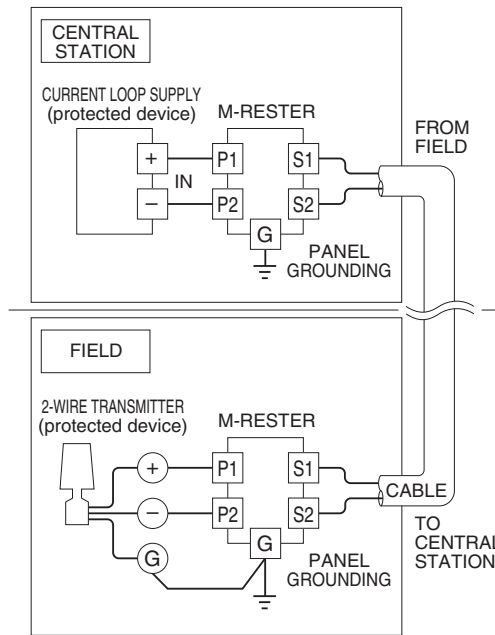
TEL : (02)2598-1199

FAX : (02)2596-2331

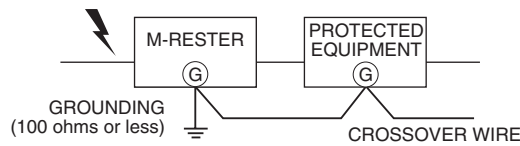
E-mail : info@xintop.com

Website : www.xintop.com

## CONNECTION EXAMPLES

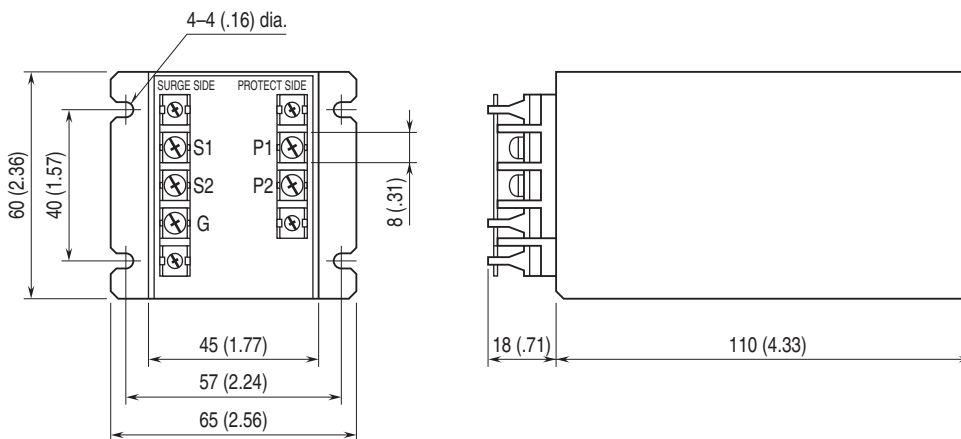


## GROUNDING

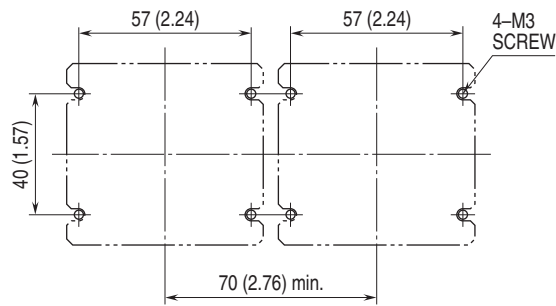


A crossover wire between M-RESTER ground and ground or metallic housing of equipment is required for protection.  
If the protected equipment has no ground terminal, ground the M-RESTER only.

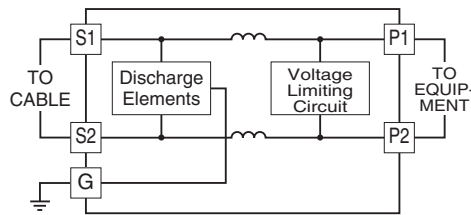
## EXTERNAL DIMENSIONS & TERMINAL ASSIGNMENTS unit: mm (inch)



**MOUNTING REQUIREMENTS unit: mm (inch)**



**SCHEMATIC CIRCUITRY & CONNECTION DIAGRAM**



Specifications are subject to change without notice.