

Lightning Surge Protectors for Electronics Equipment M-RESTER

Weight: 3.7 kg (8.16 lbs)

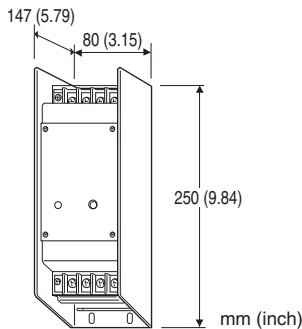
LIGHTNING SURGE PROTECTOR FOR POWER SUPPLY USE (30 A, 100 V / 110 V / 120 V AC)

Functions & Features

- Designed specifically for power requirements of medium capacities
- Protecting electronic equipment from lightning surges that enter through substations and step-down transformers
- Discharge element failure triggers the fuse blown and alarm contact closed
- Also effective in rejecting switching transients generated by thyristors, circuit breakers, motor starters, etc.

Typical Applications

- Control panels
- Telemetry systems



PERFORMANCE

Discharge voltage (peak voltage)

Line to line: 190 V min.

Line to ground: 410 V min.

Maximum surge voltage

Line to line: 350 V max.

Line to ground: 700 V max.

(The maximum voltage that could pass through M-RESTER. Protected equipment must be able to withstand this voltage for very short time period.)

Response time: ≤ 0.1 μ sec.

Leakage current

Line to line: ≤ 1 mA at 150 V DC

Line to ground: ≤ 1 mA at 300 V DC

Discharge current capacity: 10000 A (8/ 20 μ sec.)

Maximum load current: 30 A

Voltage drop: ≤ 2 V (50/60 Hz)

Rated line voltage: 100 V / 110 V / 120 V AC

MODEL: MH-130A

ORDERING INFORMATION

- Code number: MH-130A

GENERAL SPECIFICATIONS

Connection: M4 screw terminals (torque 1.6 N·m)

Screw terminal: Nickel-plated brass

Housing material: Steel plate t = 1.6 (black)

Alarm relay contact:

- **Rated load:** 100 V AC @ 250 mA ($\cos \phi = 1$)

100 V DC @ 250 mA (resistive load)

- **Maximum switching voltage:** 125 V AC or 125 V DC

- **Maximum switching power:** 25 VA or 25 W

- **Minimum load:** 5 V DC @ 10 mA

INSTALLATION

Operating temperature: -5 to +55°C (23 to 131°F)

Operating humidity: 30 to 90 %RH (non-condensing)

Mounting: Surface



幸託有限公司
XIN TOP CORPORATION

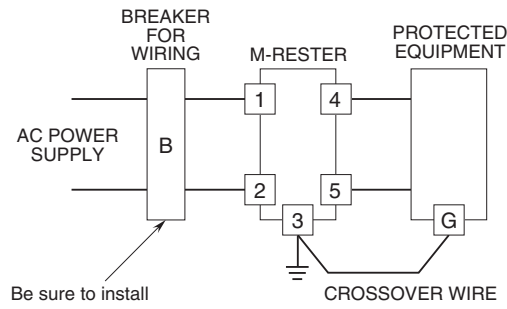
TEL : (02)2598-1199

FAX : (02)2596-2331

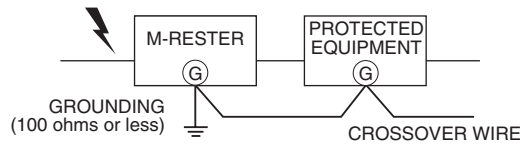
E-mail : info@xintop.com

Website : www.xintop.com

CONNECTION EXAMPLES

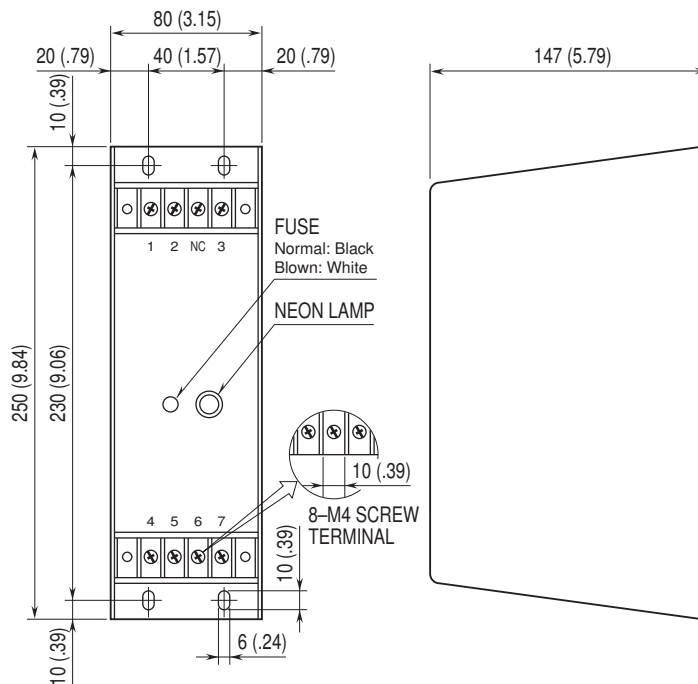


GROUNDING

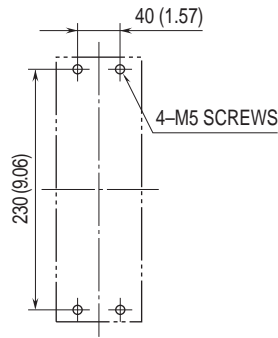


A crossover wire between M-RESTER ground and ground or metallic housing of equipment is required for protection.
If the protected equipment has no ground terminal, ground the M-RESTER only.

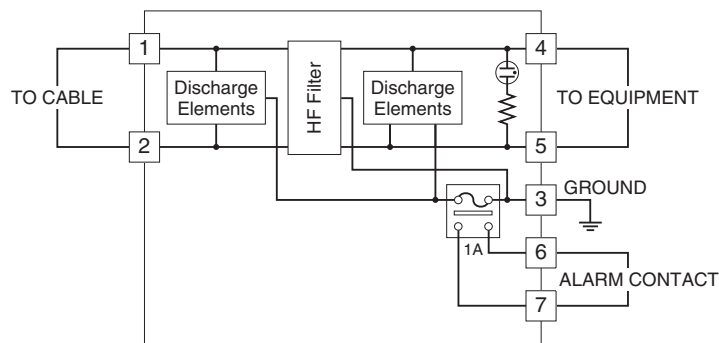
EXTERNAL DIMENSIONS & TERMINAL ASSIGNMENT mm (inch)



MOUNTING REQUIREMENTS unit: mm (inch)



SCHEMATIC CIRCUITRY



Specifications are subject to change without notice.

