

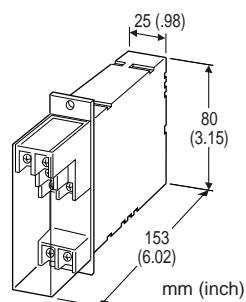
Lightning Surge Protectors for Electronics Equipment M-RESTER

LIGHTNING SURGE PROTECTOR FOR STANDARD SIGNAL LINE & PULSE USE

(65 V DC; rack mounted)

Functions & Features

- Designed specifically for 4 - 20 mA DC and pulse signal line including both 4-wire and 2-wire transmitters
- Absorbing surges only without affecting instrumentation signal
- Rack-mounted
- Two channels in one housing



Line to line: 80 V max.

Line to ground: ± 650 V max.

(The maximum voltage that could pass through M-RESTER. Protected equipment must be able to withstand this voltage for very short time period.)

Response time: ≤ 0.1 μsec .

Leakage current:

Line to line: ≤ 5 μA @ 70 V DC

Line to ground: ≤ 5 μA @ ± 140 V DC

Max. discharge current (I_{max}): 1000 A (8/ 20 μsec .)

Max. load current: 100 mA

Internal series resistance: Approx. 20 Ω including return

Maximum line voltage: 70 V

MODEL: MGD-65

ORDERING INFORMATION

- Code number: MGD-65

GENERAL SPECIFICATIONS

Construction: Rack-mounted; terminal access via screw terminals at the front; terminal cover provided

Connection: M3.5 screw terminals (torque 0.8 N·m)

Screw terminal: Nickel-plated steel

Housing material: Flame-resistant resin (black)

INSTALLATION

Operating temperature: -5 to +55°C (23 to 131°F)

Operating humidity: 30 to 90 %RH (non-condensing)

Mounting: Rack-mounted; Standard Rack Mounting Frame BX-16G available

Weight: 200 g (0.44 lbs)

PERFORMANCE

Discharge voltage (peak voltage)

Line to line: 70 V min.

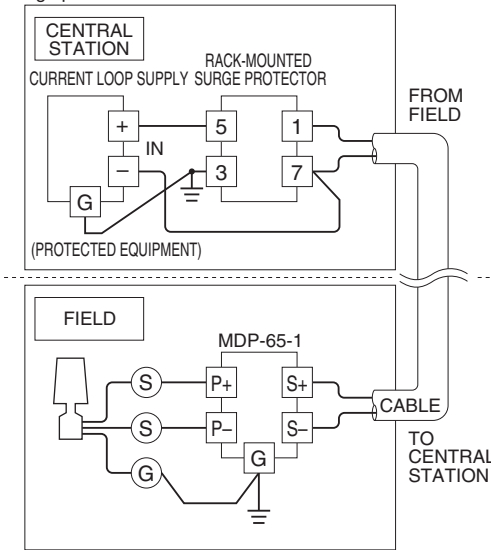
Line to ground: ± 500 V max.

Maximum surge voltage

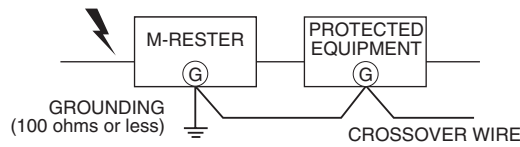


CONNECTION EXAMPLES

Connection example with Ch.1 of rack-mounted surge protector and model MDP-24-1/65-1.

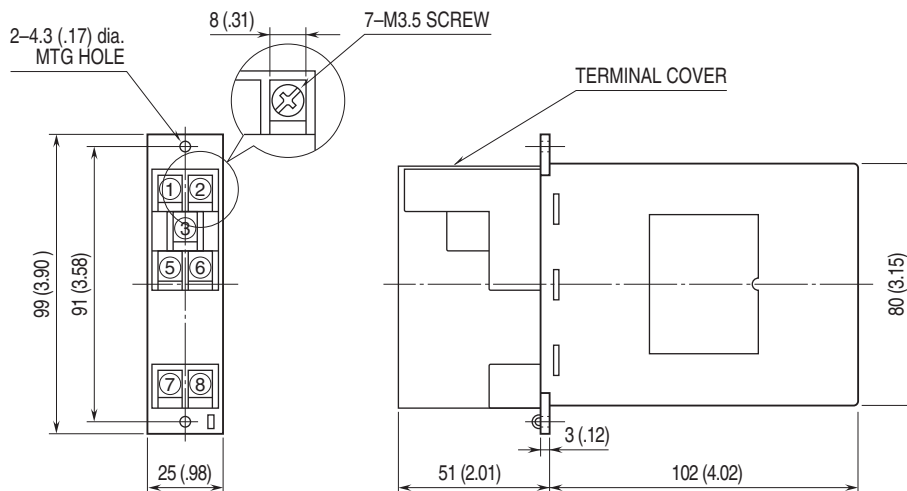


GROUNDING



A crossover wire between M-RESTER ground and ground or metallic housing of equipment is required for protection.
If the protected equipment has no ground terminal, ground the M-RESTER only.

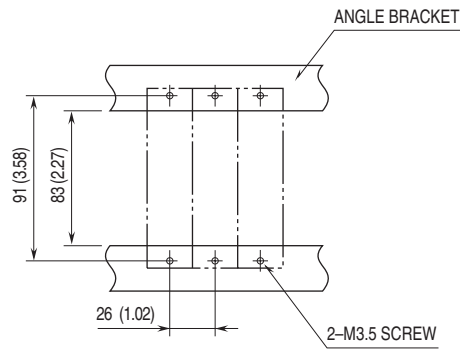
EXTERNAL DIMENSIONS & TERMINAL ASSIGNMENTS unit: mm (inch)



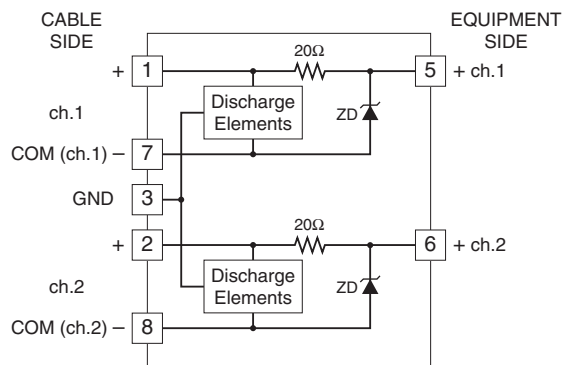
•When mounting, no extra space is needed between units.



MOUNTING REQUIREMENTS unit: mm (inch)



SCHEMATIC CIRCUITRY



Specifications are subject to change without notice.