

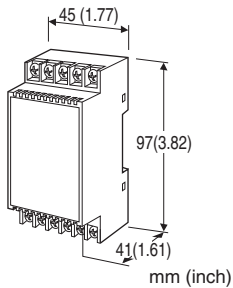
## Lightning Surge Protectors for Electronics Equipment M-RESTER

### LIGHTNING SURGE PROTECTOR FOR RS-485 / RS-422

(full-duplex)

#### Functions & Features

- Designed specifically for RS-485 or RS-422 transmission line



### MODEL: MDW5-4R

#### ORDERING INFORMATION

- Code number: MDW5-4R

#### GENERAL SPECIFICATIONS

**Construction:** Terminal block

**Connection**

**Surge side:** M3 screw terminals (torque 0.8 N·m)

**Protected device side:** M3.5 screw terminals (torque 0.8 N·m)

**Screw terminal:** Nickel-plated steel

**Housing material:** Flame-resistant resin (black)

#### INSTALLATION

**Operating temperature:** -5 to +55°C (23 to 131°F)

**Operating humidity:** 30 to 90 %RH (non-condensing)

**Mounting:** DIN rail

**Weight:** 130 g (0.29 lbs)

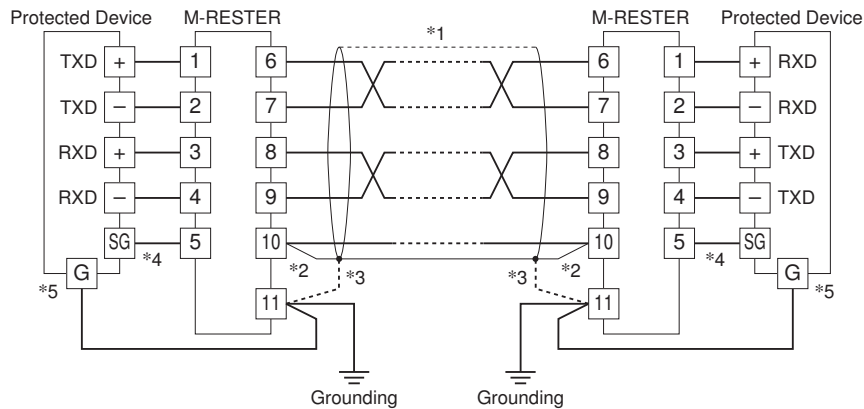
#### PERFORMANCE

	BETWEEN LINES	LINE TO SG	LINE TO GROUND
Discharge voltage	±5V min. 6-7, 8-9	5V min. 6/7/8/9-10	±140V min. each line-G
Max. surge voltage*	±25V max. 1-2, 3-4	25V max. 1/2/3/4-5	±600V max. each line-G
Leakage current	≤0.2mA @±5V 6-7, 8-9	≤0.2mA @5V 6/7/8/9-10	≤10μA @±140V each line-G
Response time	≤4 nsec.	≤4 nsec.	≤20 nsec.
Capacitance (approx.)	500 pF @100 kHz	500 pF @100 kHz	100 pF @100 kHz
Discharge current	10kA (8 / 20 μsec.)		
Max. load current	100mA		
Internal series resist.	approx. 4.0Ω including return		
Max. line voltage	±5V		
Input attenuation	-0.5 dB max. @DC...2.0 MHz, Z <sub>0</sub> = 110Ω		
Transmission speed	≤1.5 Mbps recommended		

\*The maximum voltage that could pass through M-RESTER. Protected equipment must be able to withstand this voltage for a very short time period.

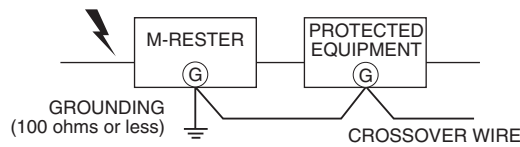


## CONNECTION EXAMPLES



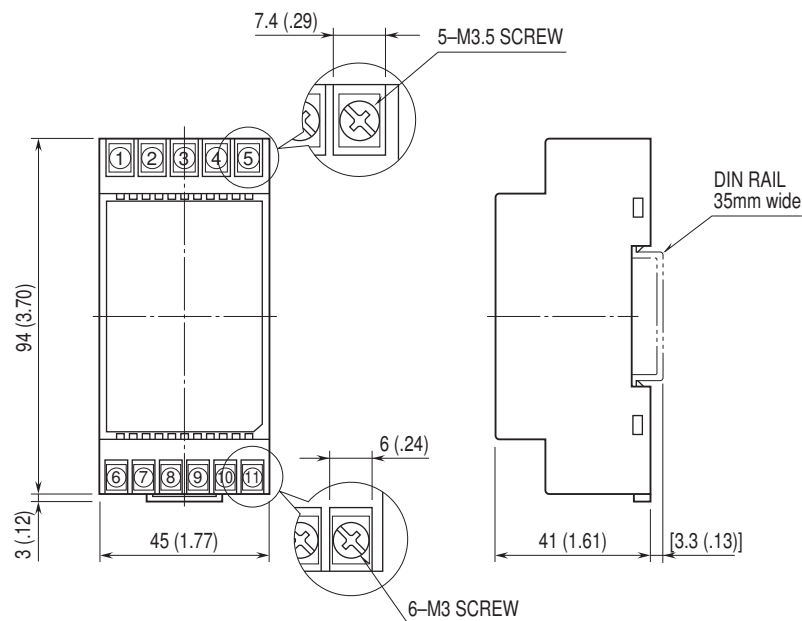
- \*1. Connect Terminals [6] - [7] and [8] - [9] when using a 4-core cable.
- \*2. This wiring is Not needed for a cable without shield.
- \*3. Cross wire to Terminal [11] when grounding the shield wire (if necessary).
- \*4. Leave Terminal [5] when the protected device has no [SG] (Signal Ground) terminal.
- \*5. Cross wire to the protected device's [G] terminal with Terminal [11] of the surge protector. Ground only the surge protector if the protected device has no [G] terminal.

## GROUNDING



A crossover wire between M-RESTER ground and ground or metallic housing of equipment is required for protection.  
If the protected equipment has no ground terminal, ground the M-RESTER only.

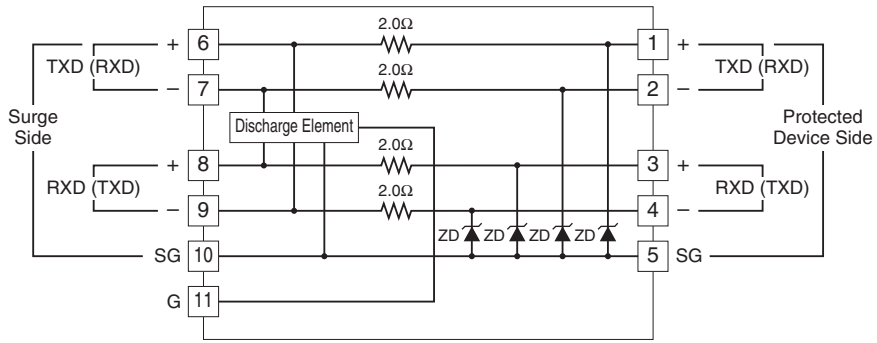
## EXTERNAL DIMENSIONS & TERMINAL ASSIGNMENTS unit: mm (inch)



• When mounting, no extra space is needed between units.



**SCHEMATIC CIRCUITRY**



Specifications are subject to change without notice.

