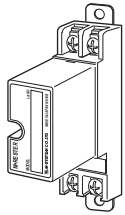


Lightning Surge Protectors for Electronics Equipment M-RESTER

LIGHTNING SURGE PROTECTOR FOR STRAIN GAUGE USE

Functions & Features

- Designed to protect strain gauge transmitters from lightning surge damage that enters on the wiring between the strain gauge and the transmitter
- Absorbs surges only without affecting instrumentation signal
- No interruption of signal by unplugging the protector element



MODEL: MDP-LC[1]

ORDERING INFORMATION

- Code number: MDP-LC[1]
Specify a code from below for [1].
(e.g. MDP-LC/A33)

[1] OPTIONS

DIN rail mounting adapter

blank: Without

/A33: With adapter (model A-33)

GENERAL SPECIFICATIONS

Construction: Plug-in

Connection: M4 screw terminals (torque 0.8 N·m)

Screw terminal: Nickel-plated steel

Housing material: Flame-resistant resin (black)

INSTALLATION

Operating temperature: -5 to +55°C (23 to 131°F)

Operating humidity: 30 to 90 %RH (non-condensing)

Mounting: Surface or DIN rail

Weight: 100 g (0.22 lbs), standard; 125 g (0.28 lbs), with DIN rail mounting adapter

PERFORMANCE

Max. continuous operating voltage (Uc):

Output side: ± 0.3 V min

Excitation side: 15 V min

Line to earth: ± 15 V min

Voltage protection level (Up):

- @ I_{max}

Output side: ± 15 V max

Excitation side: 30 V max

Line to earth: ± 30 V max

Response time: ≤ 5 nsec.

Leakage current:

Output side: ≤ 0.2 μ A @ ± 0.3 V DC

Excitation side: ≤ 2 μ A @ 15 V DC

Line to earth: ≤ 2 μ A @ ± 15 V DC

Max. discharge current (I_{max})

Output side: 100 A (8/20 μ s), 25 A (10/1000 μ s)

Excitation side: 50 A (8/20 μ s), 25 A (10/1000 μ s)

Line to earth: 50 A (8/20 μ s), 25 A (10/1000 μ s)

Capacitance @ 1 MHz:

Output side: ≤ 100 pF

Excitation side: ≤ 4 nF

Line to earth: ≤ 2 nF

STANDARDS & APPROVALS

Surge protection: IEC 61643-21 (Categorie C3)



幸託有限公司
XIN TOP CORPORATION

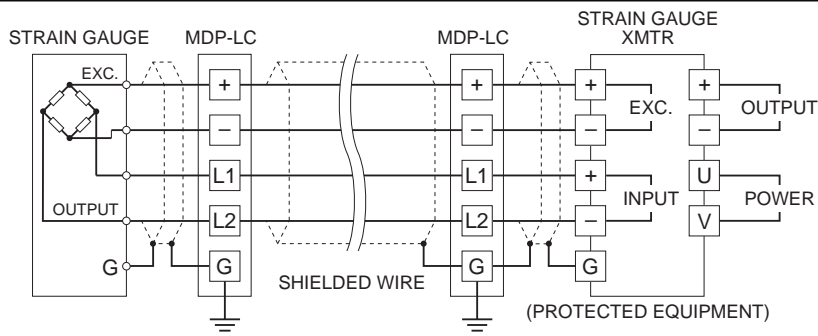
TEL : (02)2598-1199

FAX : (02)2596-2331

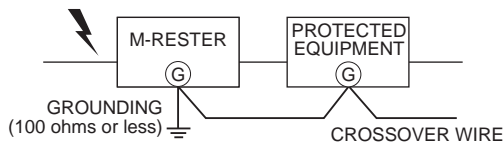
E-mail : info@xintop.com

Website : www.xintop.com

CONNECTION EXAMPLES



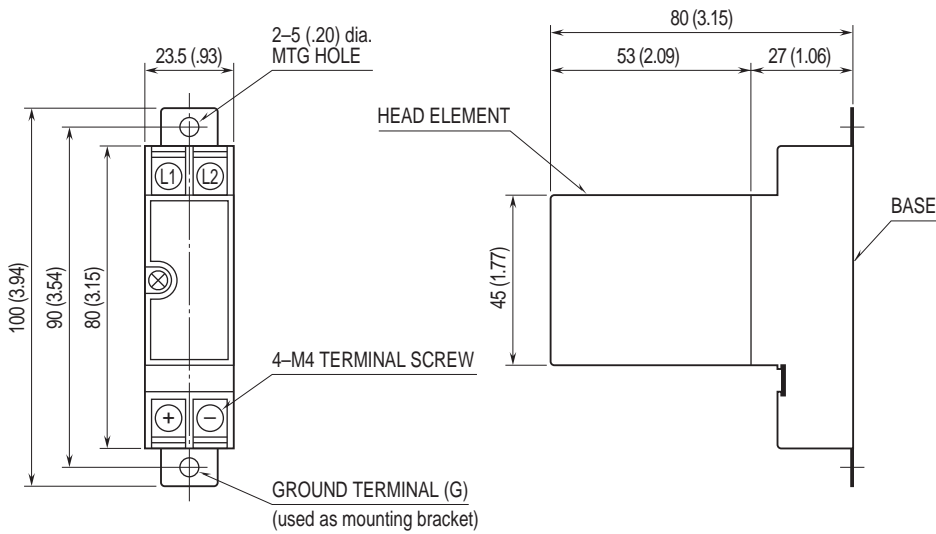
GROUNDING



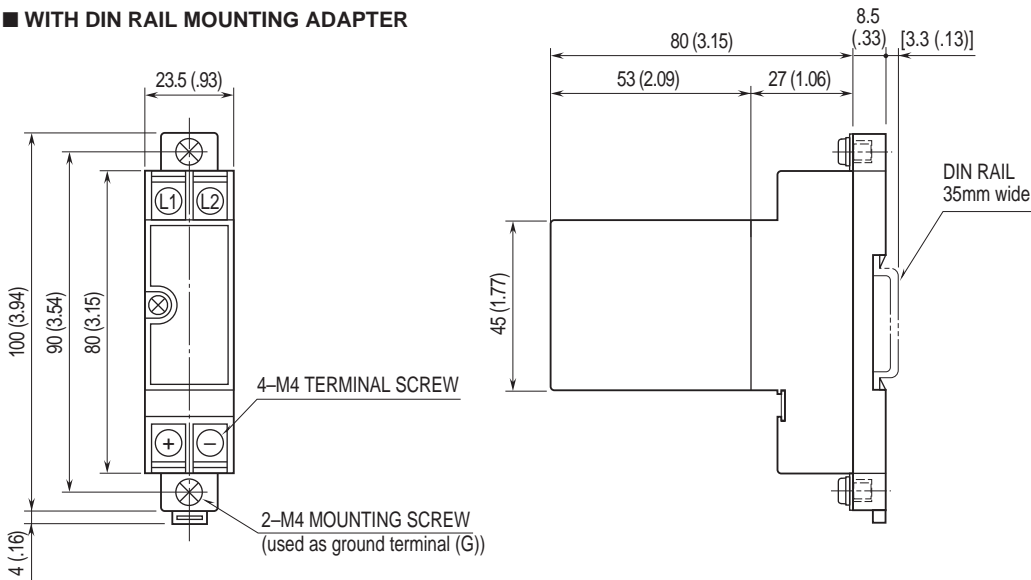
A crossover wire between M-RESTER ground and the ground or metallic housing of the equipment is required for protection.
 If the protected equipment has no ground terminal, ground the M-RESTER only.
 When the M-RESTER is mounted with DIN Rail Mounting Adapter, connect the grounding wire to the mounting screw of the M-RESTER.

EXTERNAL DIMENSIONS & TERMINAL ASSIGNMENTS unit: mm (inch)

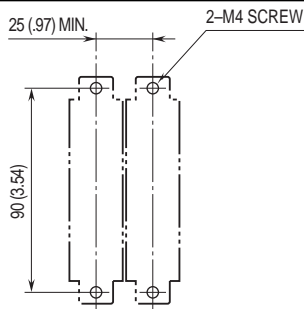
■ STANDARD



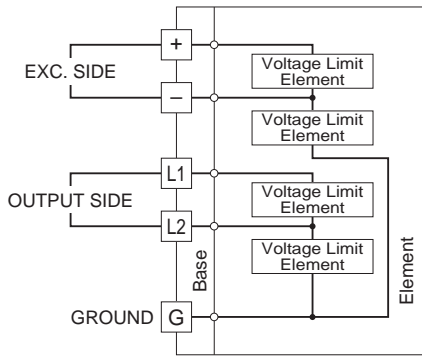
■ WITH DIN RAIL MOUNTING ADAPTER



MOUNTING REQUIREMENTS unit: mm (inch)



SCHEMATIC CIRCUITRY & CONNECTION DIAGRAM



Specifications are subject to change without notice.

