
Lightning Surge Protectors for Electronics Equipment M-RESTER

TERMINAL BLOCK FOR GROUNDING

(ultra-slim)

Functions & Features

- Relaying terminal block in order to connect wires to the DIN rail for grounding
- Used to ground the shield wire or to cross wire the devices protected by the surge protector

MODEL: MD7G-G

ORDERING INFORMATION

- Code number: MD7G-G

GROUNDING

G: Grounding

RELATED PRODUCTS

- Lightning surge protector for strain gauge (model: MD7LC)

GENERAL SPECIFICATIONS

Construction: Slim-sized front terminal structure

Degree of protection: IP20

Connection: Euro terminal block (torque 0.3 N·m)

Applicable wire size: 0.2 - 2.5 mm²

Grounding: DIN Rail

Housing material: Flame-resistant resin (black)

INSTALLATION

Operating temperature: -25 to +85°C (-13 to +185°F)

Operating humidity: 30 to 90 %RH (non-condensing)

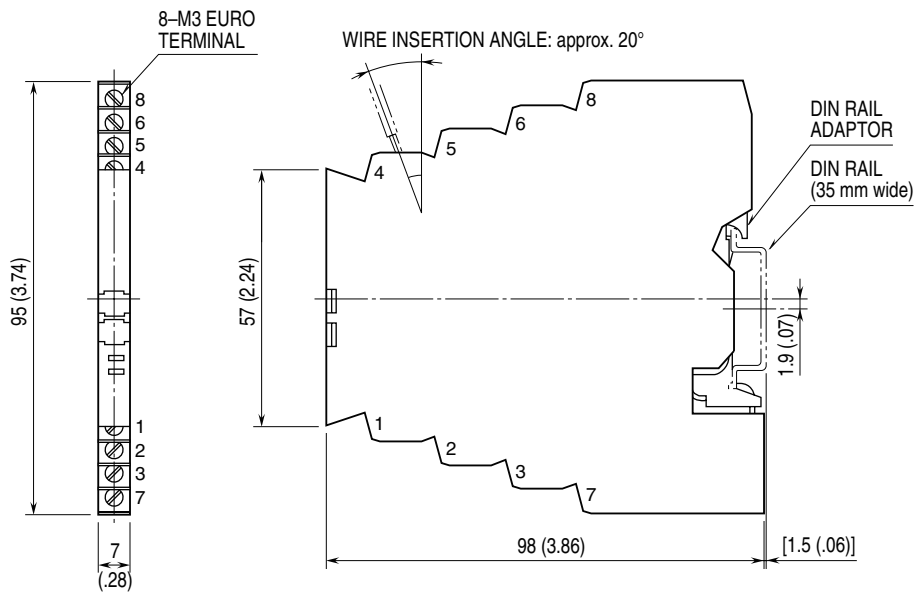
Mounting: DIN Rail (TH35-7.5, 1-mm-thick)

Oxide film on the surface of an aluminium DIN rail may lower the electric conductivity between this module and the ground. Use a steel or copper rail.

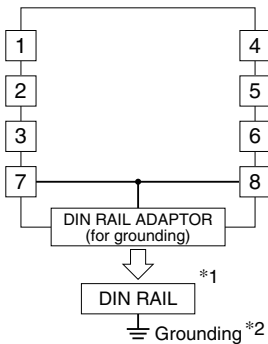
Weight: 70 g (2.5 oz)



EXTERNAL DIMENSIONS & TERMINAL ASSIGNMENTS unit: mm (inch)



CIRCUIT DIAGRAM



DO NOT connect to unused terminals.

*1. Oxide coating of an aluminium rail may lower the electric conductivity between this module and the ground. Use a steel or copper rail.

*2. Be sure to ground the DIN rail.
Recommended grounding resistance $\le 100\Omega$



Specifications are subject to change without notice.

