

**Lightning Surge Protectors for
Electronics Equipment M-RESTER**

SINGLE MOUNT ADAPTOR

Functions & Features

- Used for mounting the MAKx series surge protectors to wall surface

MODEL: MBS

ORDERING INFORMATION

- Code number: MBS

GENERAL SPECIFICATIONS

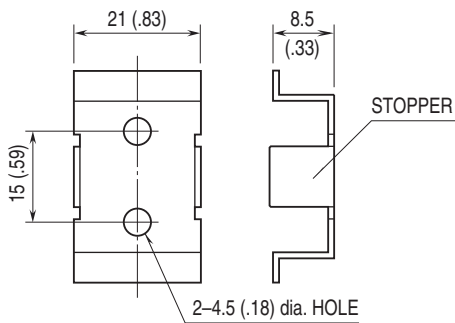
Material: Chromated steel

INSTALLATION

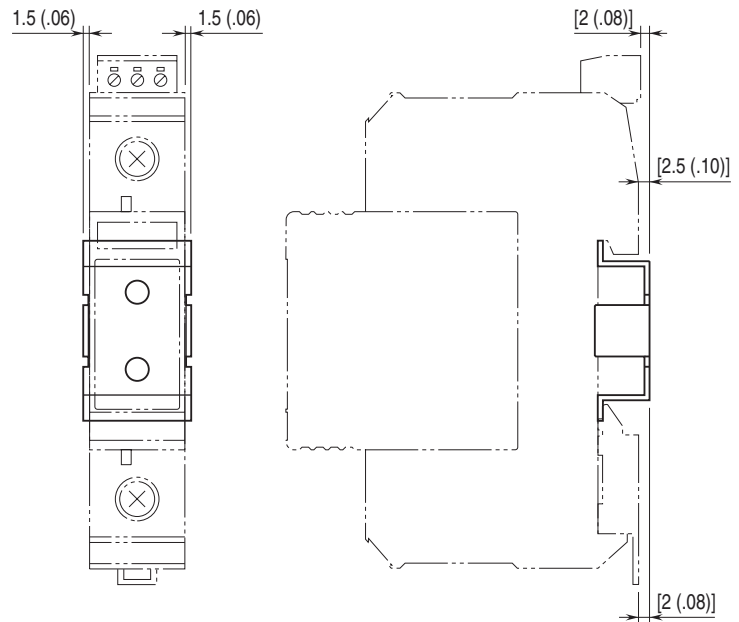
Weight: 10 g (0.35 oz)

DIMENSIONS unit: mm (inch)

■ MBS



■ MBS ATTACHED TO THE MAKx



The Single Mount Adaptor cannot be combined with the Wiring Bridge (model: CNB).



Specifications are subject to change without notice.

