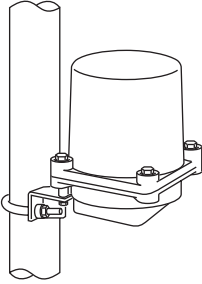


## OUTDOOR HOUSING

(weather-proof)

### Functions & Features

- Used for outdoor installation of the lightning surge protectors, signal conditioners or alarms (See 'APPLICABLE MODELS' below)



## MODEL: BX-W1[1]

### ORDERING INFORMATION

- Code number: BX-W1[1]
- Specify a code from below for [1].  
(e.g. BX-W1/S4)

### [1] OPTIONS

#### Type

/S: Stainless, 3 cable conduits

/S4: Stainless, 4 cable conduits (without internal ground terminal)

### APPLICABLE MODELS

#### ■ Lightning Surge Protectors

##### ● 1 UNIT

[MDP series, 6-terminal type]

- RTD use (model: MDP-RB)
- Potentiometer use (model: MDP-PM)
- Self-synch use (model: MDP-JS)  
(and others)

[8-pin or 11-pin socket mounted]

- Power supply use (model: MA-100, MA-200)
- Power supply use (model: MAX, MAA, MAAC)
- DC power supply use (model: MDH, MDHA)
- Signal line & pulse use (model: MDM2A-24, MDM2A-65)
- For RS-485 / RS-422 (model: MDW2A-4R)  
(and others)

##### ● 2 UNITS

[MDP series, 4-terminal type]

- Signal line & pulse use (model: MDP-24-1/MDP-65-1)
- Thermocouple use (model: MDP-TC)
- Strain gauge use (model: MDP-LC)  
(and others)

#### ■ Signal Conditioners, Alarms

- Plug-in Signal Conditioners M-UNIT Series  
(8-pin or 11-pin socket type)
- Plug-in Signal Conditioners K-UNIT Series  
(8-pin or 11-pin socket type)
- Dual Output Plug-in Signal Conditioners W-UNIT Series  
(11-pin socket type)
- Limit Alarms (potentiometer adj.) A-UNIT Series
- Limit Alarms (rotary switch adj.) AL-UNIT Series
- Plug-in Signal Conditioners MX-UNIT Series
- Super-mini Two-wire Signal Conditioners T-UNIT Series
- Super-mini Signal Conditioners Mini-M Series
- Space-saving Dual Output Signal Conditioners Mini-MW Series
- Super-mini Signal Conditioners with LCD Display M7E-UNIT Series  
(For use with other devices, consult M-System.)

#### Note:

- Be sure that the device you want to install within the BX-W1 is smaller than the internal dimension the outdoor housing. Certain models cannot be installed due to their shape or accessories.)
- There is not internal earth terminal in 4-conduit type. Be sure to choose 3-conduit type for 8- or 11-pin socket mounted lightning surge protectors.

### PACKAGE INCLUDES...

**Accessory:** Mounting Frame for MDP use  
(model: MDP-FR)

### GENERAL SPECIFICATIONS

**Degree of protection:** IP X3 (for upright mounting)

#### Material

**Main body:** AC4C cast aluminium alloy

**Mounting bracket:** SCS13 cast stainless steel

**Coating:** Baked coating (silver color)

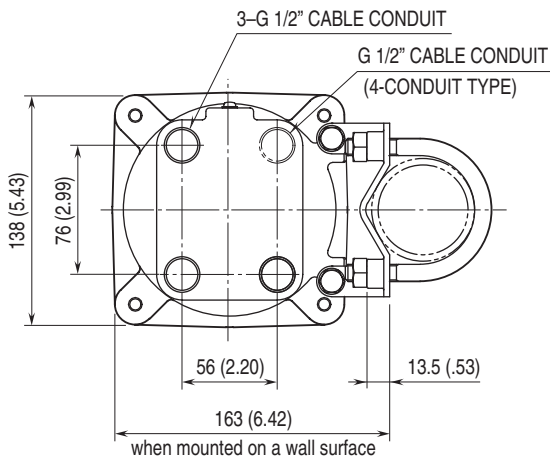
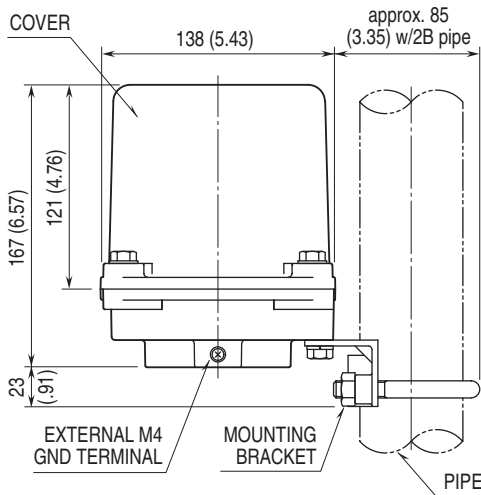
**Adoptable pipe:** 2B (2")

**Weight:** 2.5 kg (5.5 lb) including mounting bracket and bolts



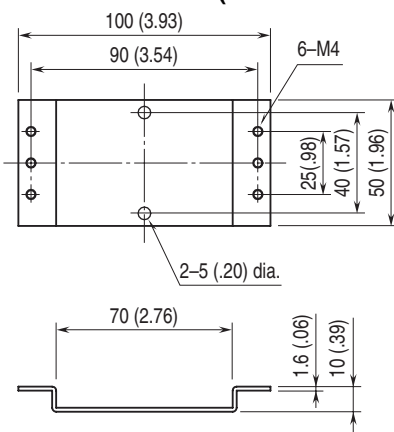
## DIMENSIONS unit: mm (inch)

### EXTERNAL DIMENSIONS



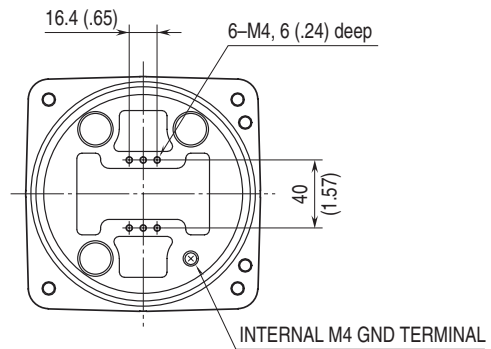
BOTTOM VIEW

### MOUNTING FRAME (for MDP Series)

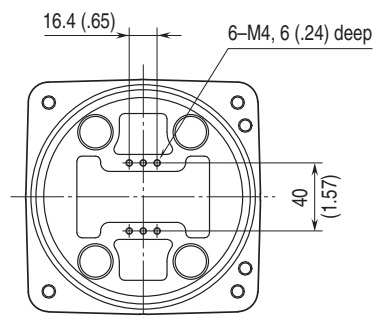


### INTERNAL DIMENSIONS

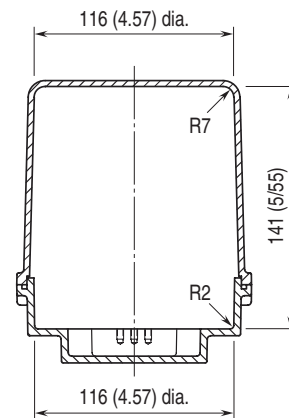
#### 3-CONDUIT TYPE



#### 4-CONDUIT TYPE

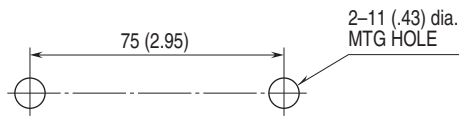


TOP COVER REMOVED



**PANEL CUTOUT unit: mm (inch)**

■ SURFACE MOUNTING



Specifications are subject to change without notice.

