

**Lightning Surge Protectors for  
Electronics Equipment M-RESTER**

**DIN RAIL MOUNTING ADAPTER**

**Functions & Features**

- Used for mounting MDP type lightning surge protectors on a DIN rail

**MODEL: A-33**

**ORDERING INFORMATION**

- Code number: A-33

**GENERAL SPECIFICATIONS**

**Mounting:** M4 × 8 screws with washer (two; attached)

**Material:** Flame-resistant resin (black)

**INSTALLATION**

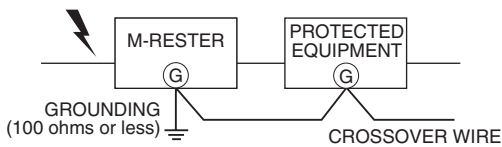
**Operating temperature:** -20 to +80°C (-4 to +176°F)

**Operating humidity:** 30 to 90 %RH (non-condensing)

**Weight:** 25 g (0.88 oz)

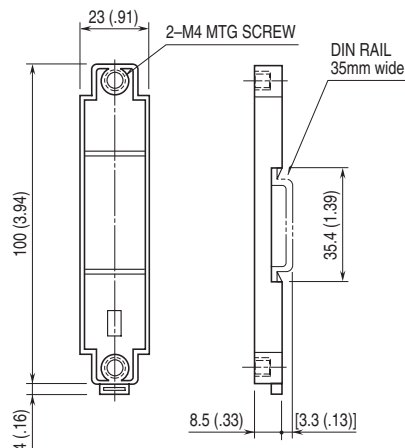
**GROUNDING**

A crossover wire between M-RESTER ground (G) and ground (G) of the protected equipment is required for protection as indicated in the figure below.



If the protected equipment has no ground terminal, ground the M-RESTER only. The mounting screw of the A-33 serves as the ground (G) terminal. Connect the crossover wire to this terminal.

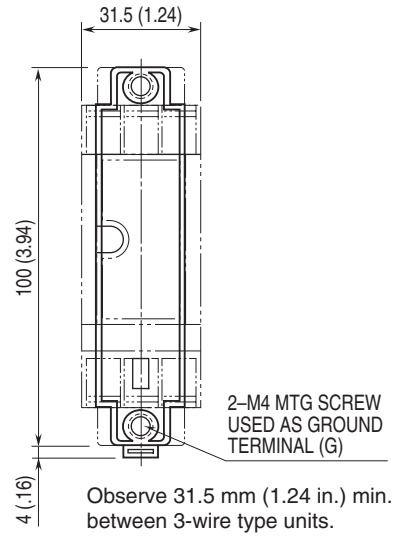
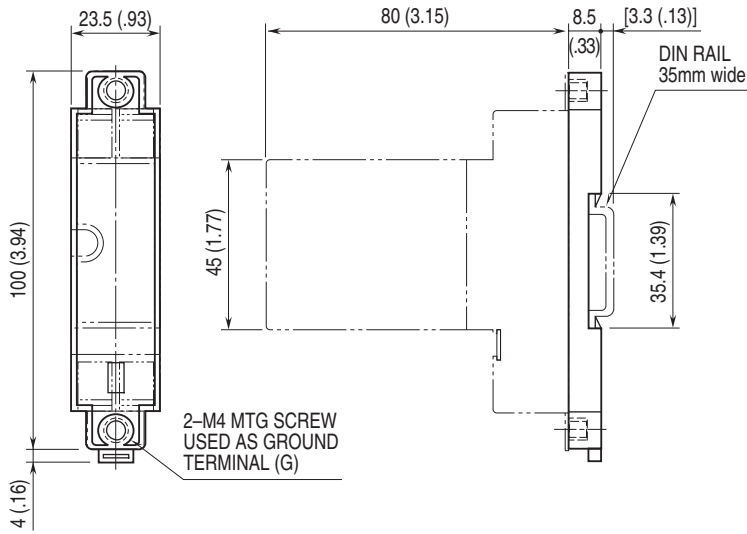
**DIMENSIONS unit: mm (inch)**



**MOUNTING REQUIREMENTS unit: mm (inch)**

■ 2-WIRE

■ 3-WIRE



Specifications are subject to change without notice.

