



SPH10/20 Static Pressure Heads

For minimizing wind induced error



SPH10/20 is easy to install and connect. In the picture, SPH10 is connected to PTB210.

Features

- Minimizes wind induced error
- Reliable barometric pressure measurement in all weather
- Wind tunnel tested structure
- Easy to clean
- Easy to install

SPH10/20 Static Pressure Heads minimize the effects of wind on barometric pressure readings.

Wind induced effects are one of the main sources of error when measuring barometric pressure. Variations due to strong and gusty wind can be overcome by using a static pressure head to reduce the effect of dynamic pressure.

Vaisala Static Pressure Head Series SPH10/20 are designed to minimize the errors caused by wind. Their wind tunnel tested structure is both horizontally and vertically symmetrical. This design ensures reliable barometric pressure measurements in all weather.

Ideal for Outdoor Installations

Vaisala static pressure heads are available in two models: Vaisala Static Pressure Head SPH10 is a basic version, and Vaisala Static Pressure Head SPH20 is a heated version for reliable operation in snowy and icy conditions. The heated SPH20 contains a thermostat that switches on the warming power at temperatures where the risk of icing may occur.

Composed of ultraviolet stabilized PC plastics and offshore aluminum, SPH10/20 static pressure heads are durable and weather resistant.

SPH10/20 protects against rain and condensed water. This prevents capillary condensation of a water column in the pressure channel resulting in a pressure error. The drain holes in the lower plate allow rain and water to flow out. The static pressure heads have internal netting that prevents insects and debris from blocking the pressure channel.

Carefree Maintenance

SPH10/20 static pressure heads are easy to install and disassemble, service, and clean – even at the installation site. Vaisala BAROCAP® Digital Barometer PTB210 can be installed directly on top of SPH10/20 static pressure heads. Other barometers can be connected to the heads with pressure tubing.

SPH10 and SPH20 are a perfect pair for all Vaisala barometers. They ensure an accurate and reliable measurement in all weather conditions.



幸託有限公司
XIN TOP CORPORATION

TEL : (02)2598-1199
FAX : (02)2596-2331

E-mail : info@xintop.com
Website : www.xintop.com

Technical Data

Operating Environment

Operating temperature -60 ... +80 °C (-76... +176 °F)

Mechanical Specifications

Weight	SPH10: 800 g (1.76 lb) SPH20: 1360 g (3.0 lb)
Materials	PC plastic, offshore aluminium
Mounting	With 2 bolts (M6 × 20 mm min.)
Hose connection	Barbed fitting for 4 mm I.D. hose or Rp1/4 thread (parallel)

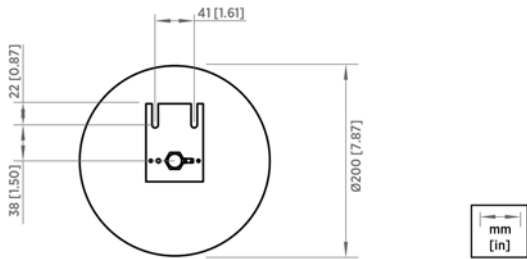
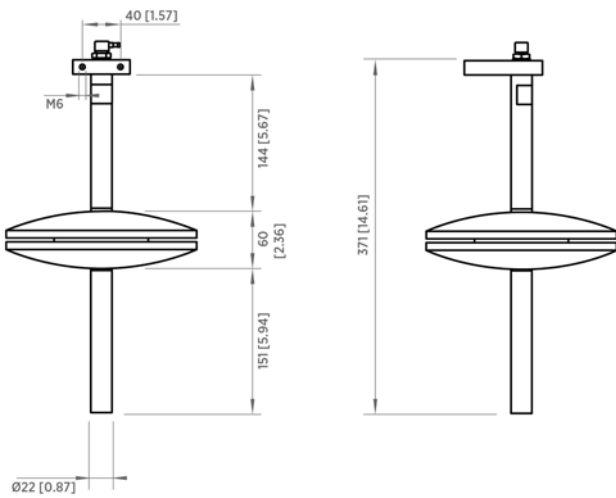
SPH20 Inputs and Outputs

Electrical connections	M12 connector
Power supply	Factory setting: 12 V Changed connection: 24 V
Power consumption during heating	70 W

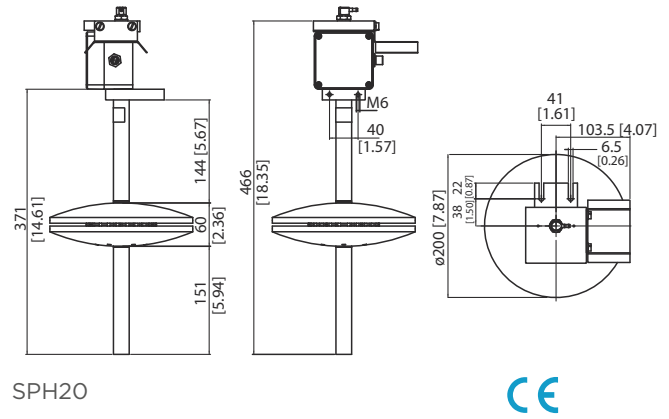
Thermostat Switching Temperature

On	+4 °C (±3 °C) +39.2 °F (±4.4 °F)
Off	+13 °C (±3 °C) +55.4 °F (±4.4 °F)

Dimensions in mm (inches)



SPH10



SPH20



幸託有限公司
XIN TOP CORPORATION

TEL : (02)2598-1199
FAX : (02)2596-2331

E-mail : info@xintop.com
Website : www.xintop.com